

# Adaptor aktiv slider / tripod 75 mm - 100 mm

Part No.S2080-0005 (75 mm) S2080-0006 (100 mm)



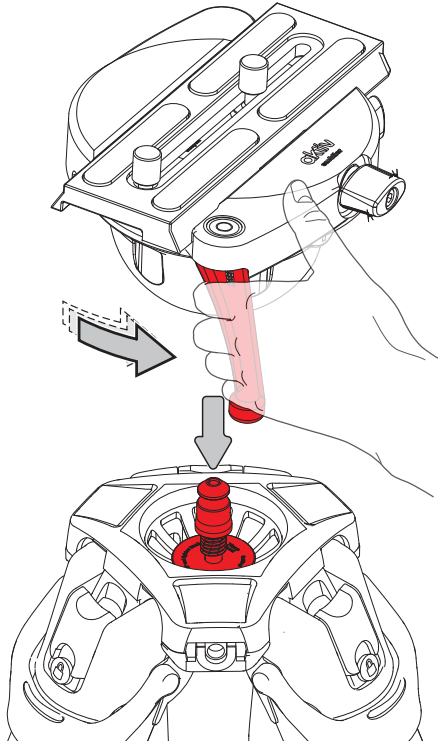
Refer to aktiv system manual S2068-4980 for safety instructions, and information regarding adjusting the aktiv bowl connector



**sachtler**

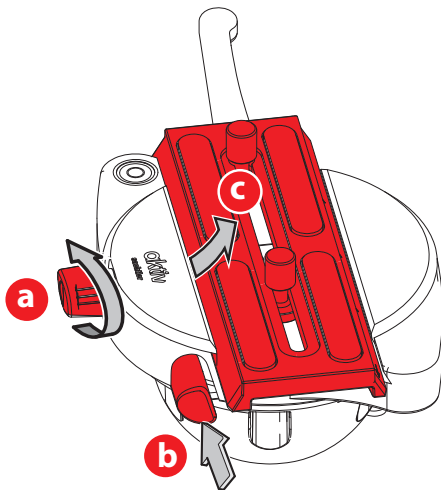
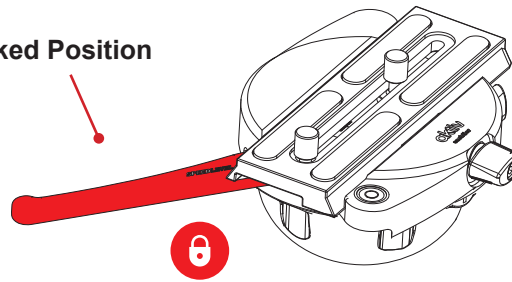
**Max. payload:** 10 kg (22 lb) for slider with 60 cm (23.6 in) length.

Please check the maximum payload specified by the slider manufacturer.



Hold the adaptor firmly with both hands. Pull the lever all the way back towards the level bubble.  
Lower the Adaptor onto the aktiv bowl stud and release the lever, the lever should return to the locked position as shown below.

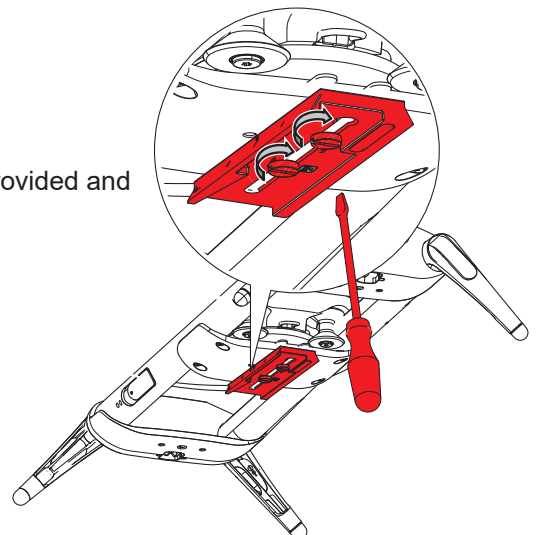
Locked Position

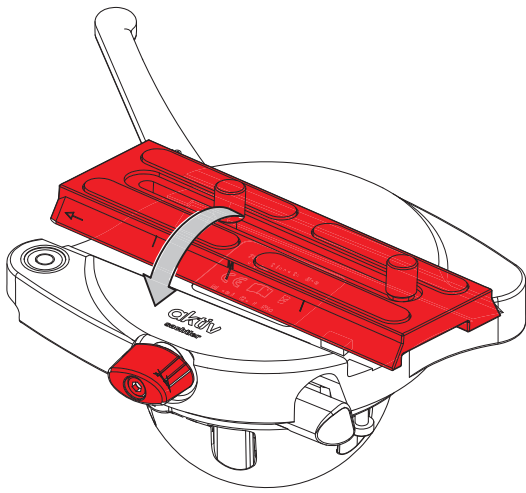


Remove the sideload plate.

- Loosen the red clamp knob
- Press the red release button
- Lift out the sideload plate

Attach the sideload plate to the underside of the slider using the screws provided and tighten the screws firmly.



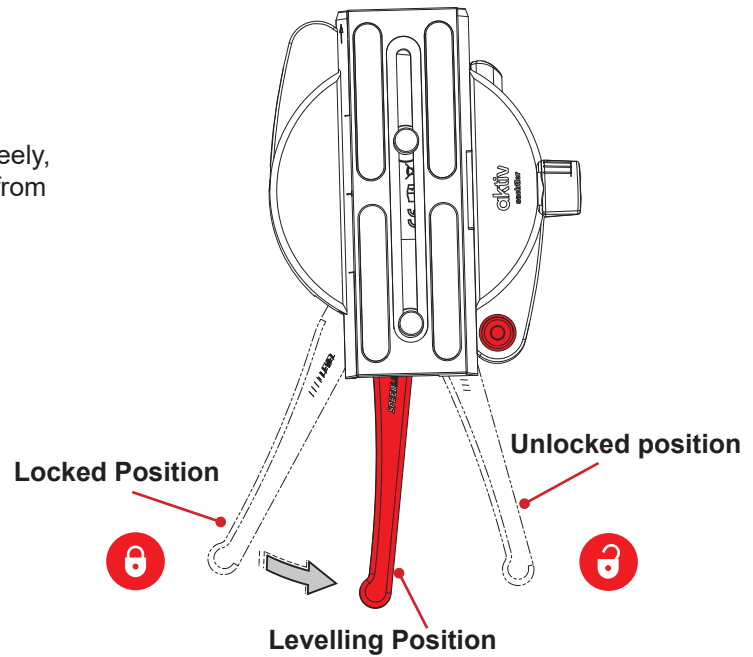


Place the camera plate with the slider fitted into the dovetail and lower into place.  
It will lock automatically and the lock lever will click audibly back into its initial position.

Note! The Tripod and slider has been removed from the diagram for clarity.  
Firmly lock the plate in position using the red clamp knob.

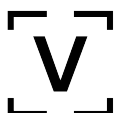
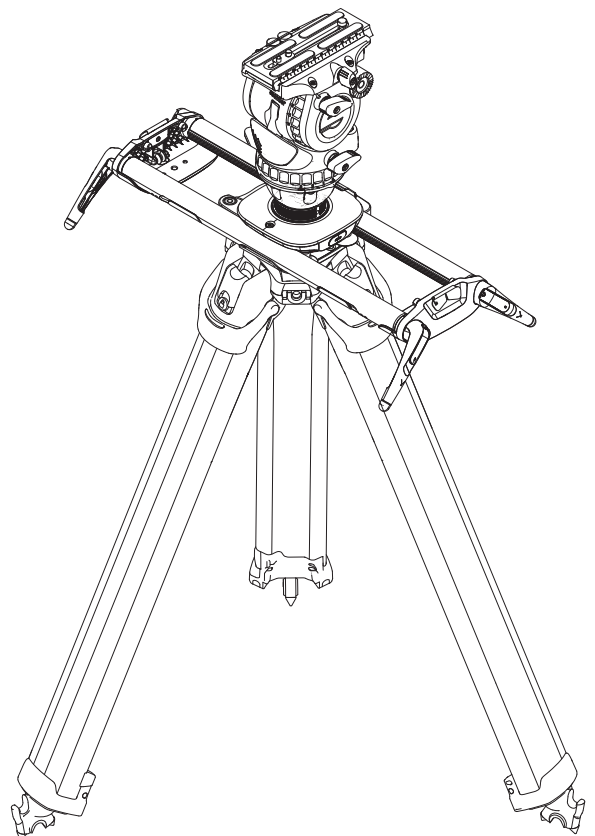
To level the assembly pull the lever until the adaptor moves freely, do not pull the lever too far as the adaptor could be released from the tripod.

With the lever held in the mid position centre the bubble and release the lever back into the locked position.



When head is fitted to the slider you may use the same procedure to fine adjust and check the level.

When fitting an aktiv head onto the the slider, adaptor S2080-0003 (75mm head) or S2080-0004 (100 mm head) will be required.



**Sachtler**  
A Videndum plc Brand

[www.sachtler.com](http://www.sachtler.com)

Publication Part No. S2080-4982/1