

Video 18 S2 & 20 S1 Fluid Heads

Video 18 S2 Video 20 S1 Fluid Heads



Part Nos. Video 18 S2 1811
Video 20 S1 2010

EN DE

Copyright © 2012

All rights reserved.

Original Instructions: English

All rights reserved throughout the world. No part of this publication may be stored in a retrieval system, transmitted, copied or reproduced in any way, including, but not limited to, photocopy, photograph, magnetic or other record without the prior agreement and permission in writing of the Videndum Group Plc.

Disclaimer

The information contained in this publication is believed to be correct at the time of printing. Videndum Ltd reserves the right to make changes to the information or specifications without obligation to notify any person of such revision or changes. Changes will be incorporated in new versions of the publication.

We are making every effort to ensure that our publications are updated on a regular basis to reflect changes to product specifications and features. Should this publication not contain information on the core functionality of your product, please let us know. You may be able to access the latest revision of this publication from our website.

Videndum Ltd reserves the right to make changes to product design and functionality without notification.

Trademarks

All product trademarks and registered trademarks are the property of The Videndum Group Plc.

All other trademarks and registered trademarks are the property of their respective companies.

Published by:

Videndum Ltd

Email: technical.publications@Videndumgroup.com

Contents / Inhaltsverzeichnis

Safety	2
Safety and About This Guide	3
Box Contents	4
Operating Elements	5
Installation	7
Touch Bubble	7
Mounting the Head	7
Mounting and Dismounting the Camera	8
Fitting the Pan Bar	10
Balancing the Payload	12
Adjusting the Centre of Gravity (C of G)	12
Adjusting the Counterbalance	15
Adjusting the Drags	17
Transportation	18
Maintenance	19
Technical Specification	20
General Notices	21

Sicherheit	22
Sicherheit und Über diese Bedienungsanleitung	23
Schachtelinhalt	24
Bedienelemente	25
Montage	27
Selbstleuchtende Libelle (Touch Bubble)	27
Montage des Fluidkopfes	27
Einsatz und Entnahme der Kamera	28
Schwenkarmmontage	30
Einstellen der Kamerabalance	32
Einstellen des Schwerpunktes (C of G)	32
Einstellen des Gewichtsausgleichs	35
Einstellen der Dämpfung	37
Transport	38
Wartung	39
Technische Spezifikationen	40
Allgemeine Hinweise	41

Safety

Important information on the safe installation and operation of this product. Read this information before operating the product. For your personal safety, read these instructions. Do not operate the product if you do not understand how to use it safely. Save these instructions for future reference.

Warning Symbols Used in these Instructions

Safety cautions are included in these instructions. These safety instructions must be followed to avoid possible personal injury and avoid possible damage to the product.



WARNING!

Where there is a risk of personal injury or injury to others, comments appear supported by the warning triangle symbol.

Where there is a risk of damage to the product, associated equipment, process or surroundings, comments appear supported by the word '**CAUTION**'.

Health and Safety



WARNING! Risk of personal injury or injury to others. All personnel must be fully trained and adhere to correct manual handling techniques and Health & Safety regulations. It is the responsibility of the local organisation to enforce safe working practices at all times.

Mounting and Installation



WARNING! Do not fit a head to a tripod that cannot support the combined mass of the head and its full payload.



WARNING! Risk of finger entrapment. Do not place fingers between the platform and the body of the fluid head.



CAUTION! Always lock the horizontal and vertical brakes when the camera is mounted but not in use or when levelling the fluid head on the tripod.



CAUTION! Hold the camera securely when mounting or dismounting from the fluid head and when making adjustments to the tripod height or footprint.



CAUTION! Always hold the pan bar when making adjustments to the counterbalance or camera position. Do not use the pan bar to lift or move the tripod and fluid head.



CAUTION! Do not attach heavy items to the pan bar.



CAUTION! Always remove the camera before transporting.

Maintenance



WARNING! The fitting of non-approved parts and or accessories or servicing by non-approved personnel could effect the safety of the product. It may also invalidate the terms and conditions of the product warranty.



CAUTION! When replacing the battery, only use the same or an equivalent type of battery recommended for use with this product.

Intended Use

The Sachtler Video 18 S2 and Video 20 S1 fluid heads were developed to enable smooth pan and tilt movement giving the operator total image control through a wide range of angles.

About this User Guide

This user guide has been produced to instruct the user on the correct set-up, operation and maintenance of the fluid head.

Warranty

This product is covered by a one year warranty.

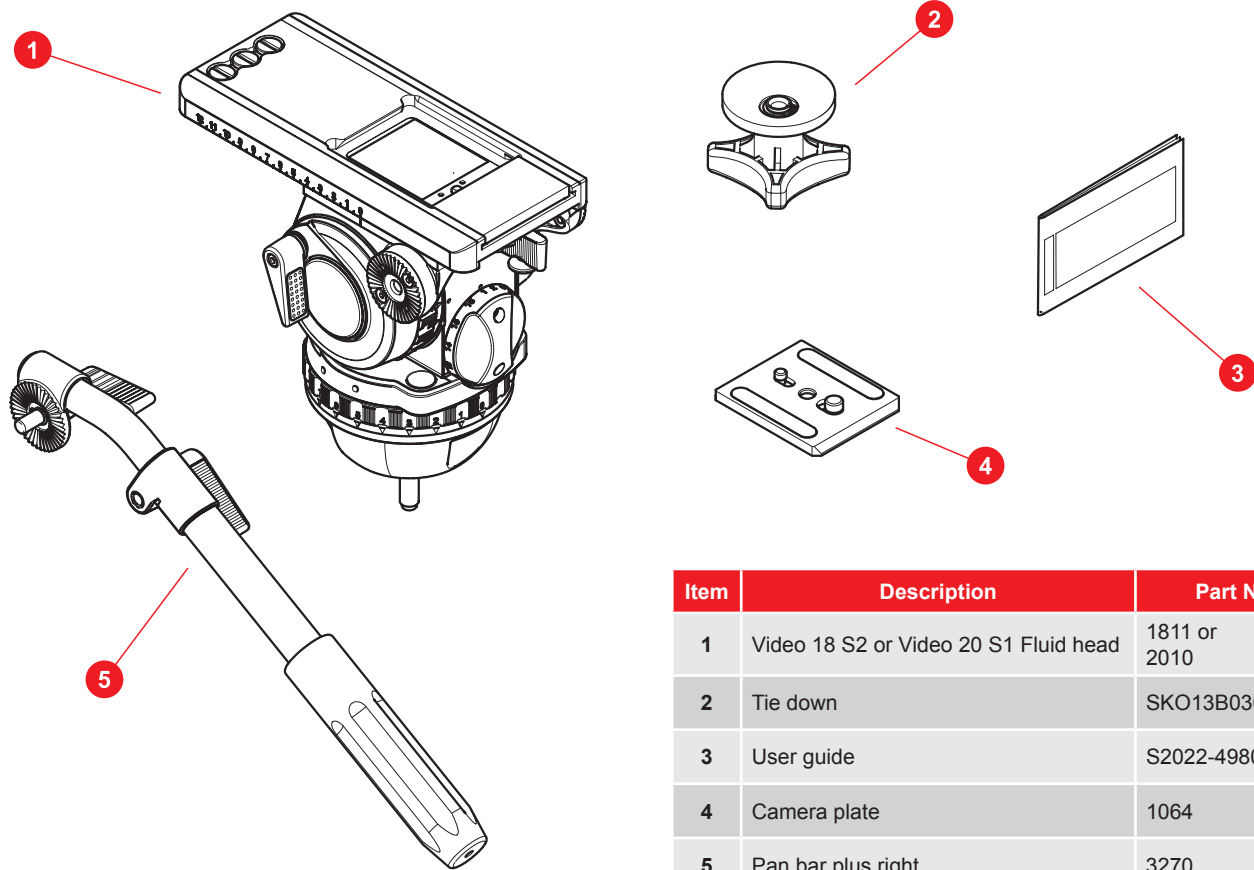
The warranty will be invalidated if:

- The head is improperly installed or used in a manner contrary to this user guide.
- The head housing is opened by unauthorised personnel.

Extended Warranty

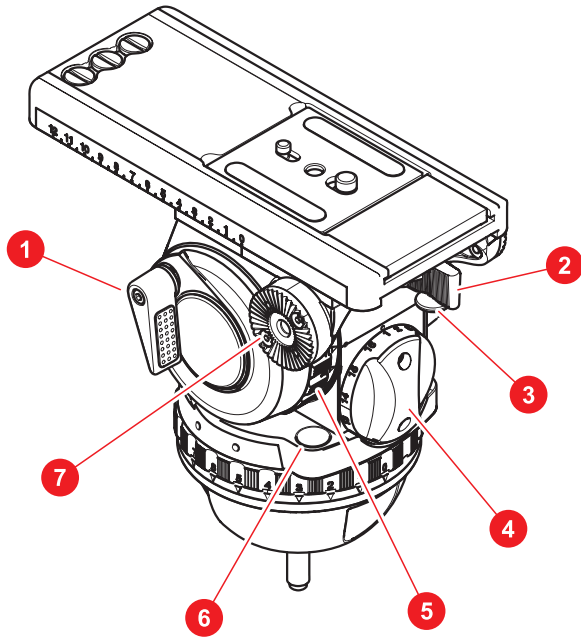
Please register at www.sachtler.com for an extended warranty period.

Box Contents



Item	Description	Part No
1	Video 18 S2 or Video 20 S1 Fluid head	1811 or 2010
2	Tie down	SKO13B0366
3	User guide	S2022-4980
4	Camera plate	1064
5	Pan bar plus right	3270

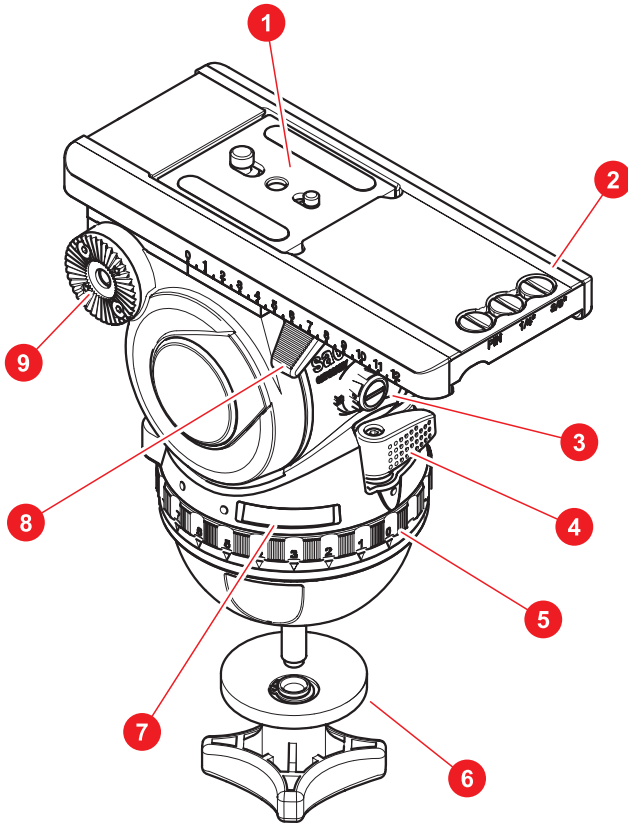
Left View



1	Vertical brake
2	Touch & Go system lock lever
3	Touch & Go system safety lock
4	Counterbalance adjustment knob
5	Vertical drag control
6	Illuminated touch bubble
7	Rosette for left pan bar

Operating Elements

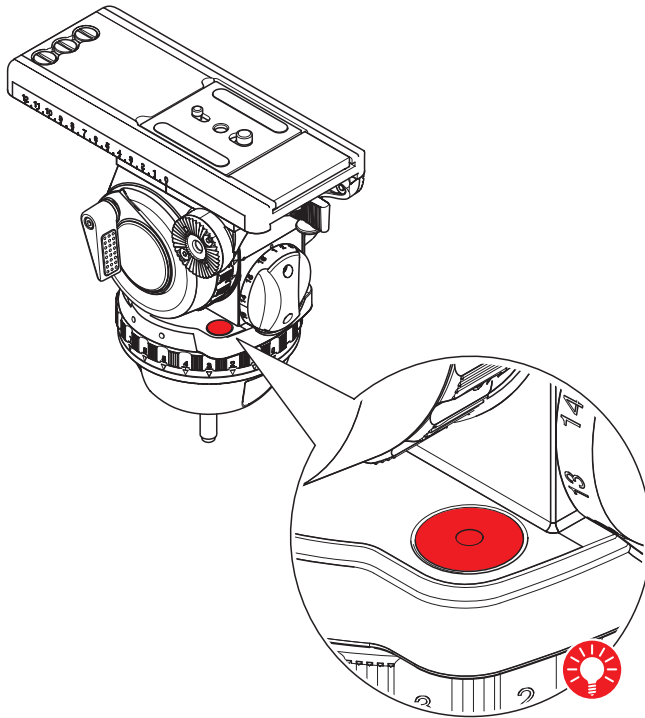
Right View



1	Camera plate
2	Spare camera screws
3	Payload range shifter (boost button)
4	Horizontal brake
5	Horizontal drag control
6	Tie down
7	Battery compartment for touch bubble
8	Balance plate clamp lever
9	Rosette for right pan bar

Touch Bubble

The fluid head is fitted with an illuminating touch bubble which allows easy levelling in poor lighting conditions. The illumination is activated by tapping the bubble and will automatically switch off after approximately 20 seconds.

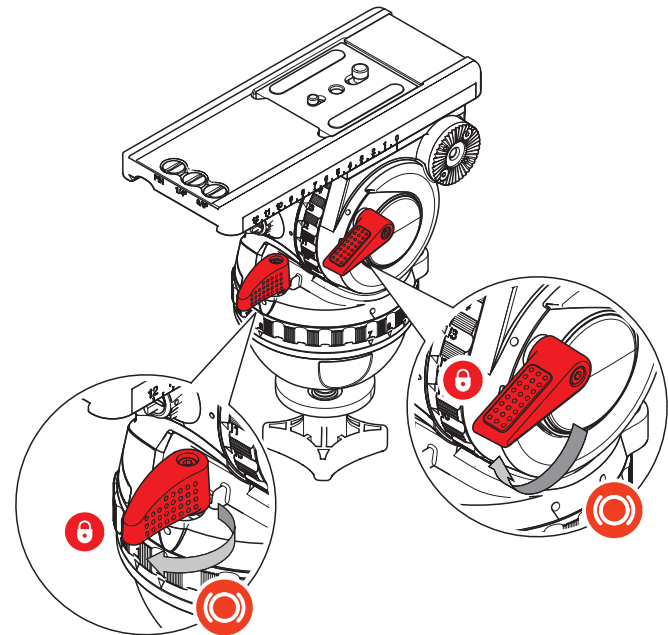


Mounting the Head

The fluid head is designed to be installed onto standard tripods using the tie down with the 100 mm ball base. The fluid head can be mounted to a slider or pedestal using a FB converter (# 3913).

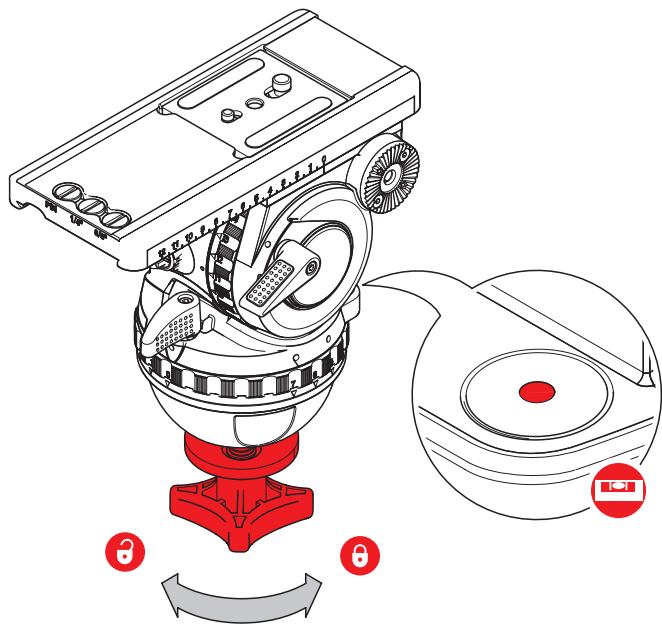
Levelling the Head

1. Apply the horizontal and vertical brakes and hold the head firmly with one hand.



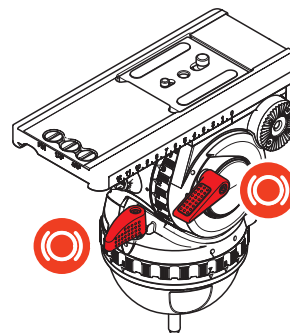
Installation

2. Loosen the tie down and move the head so that the level bubble is central. Tighten the tie down and check the level bubble remains central when the head is rotated through a full 360°.

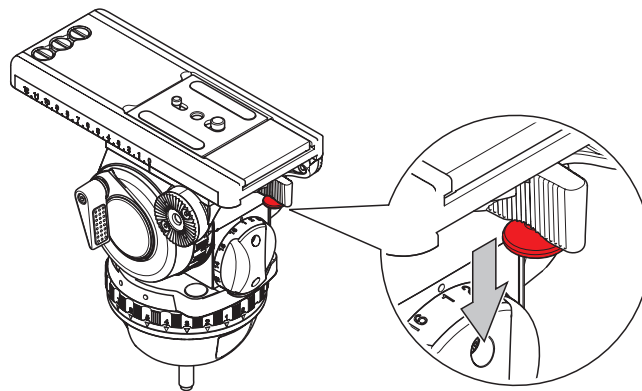


Mounting and Dismounting the Camera

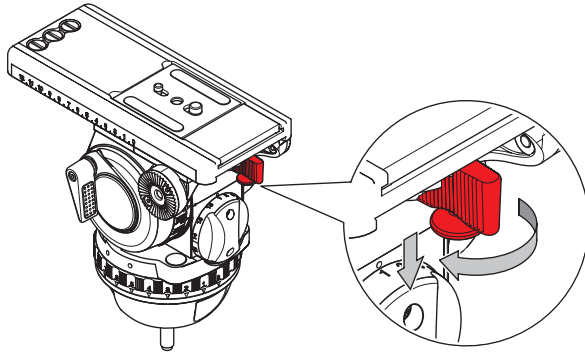
1. Apply the horizontal and vertical brakes.



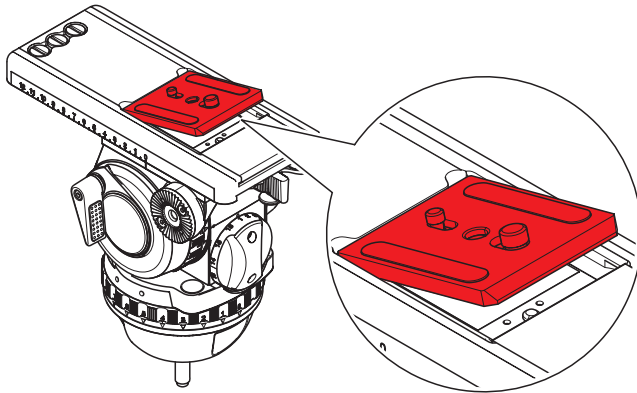
2. Hold the plate or camera with one hand. Grasp the locking lever with your thumb and index finger and pull down the safety button.



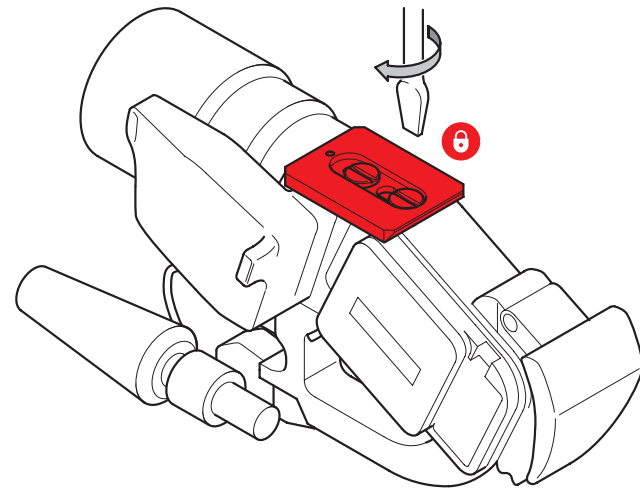
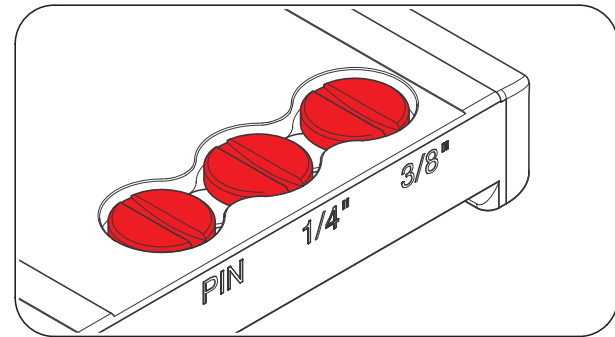
3. With the safety button held down, move the locking lever as far as possible to the left.



4. The plate or camera will be released.

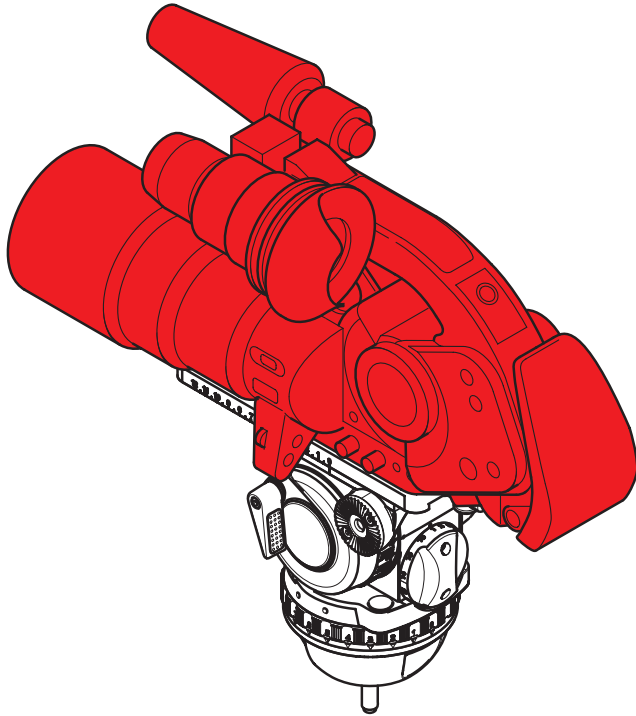


5. Attach the camera plate to the camera around its centre of gravity. Additional screws are stored in the platform assembly.



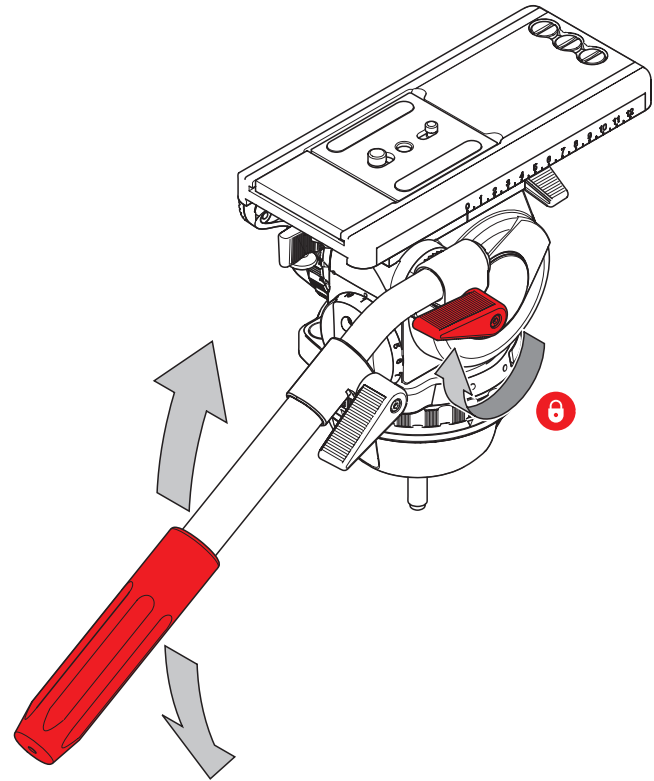
Installation

6. Mount the camera and plate onto the platform. It will lock automatically and the lock lever will click audibly back into its initial position.



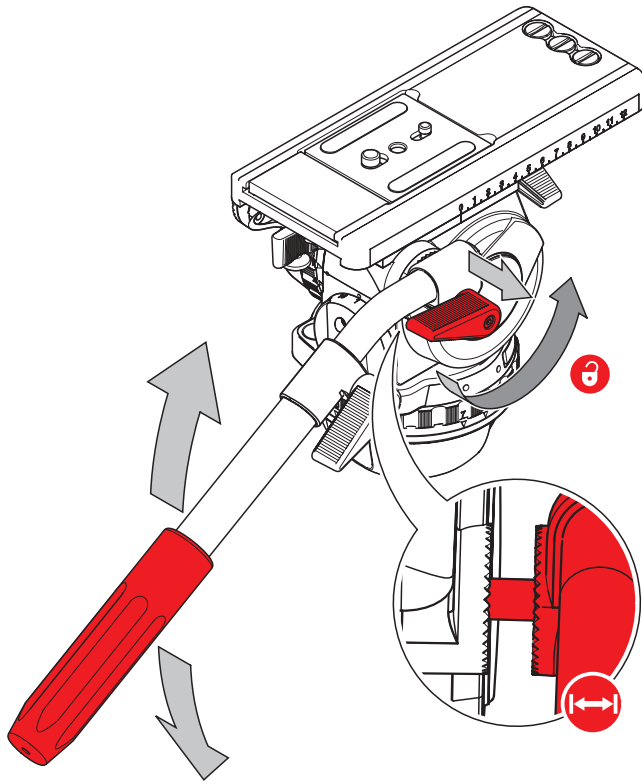
Fitting the Pan Bar

Fit and adjust the pan bar to the desired position, tighten the clamping screw ensuring the teeth mesh fully.



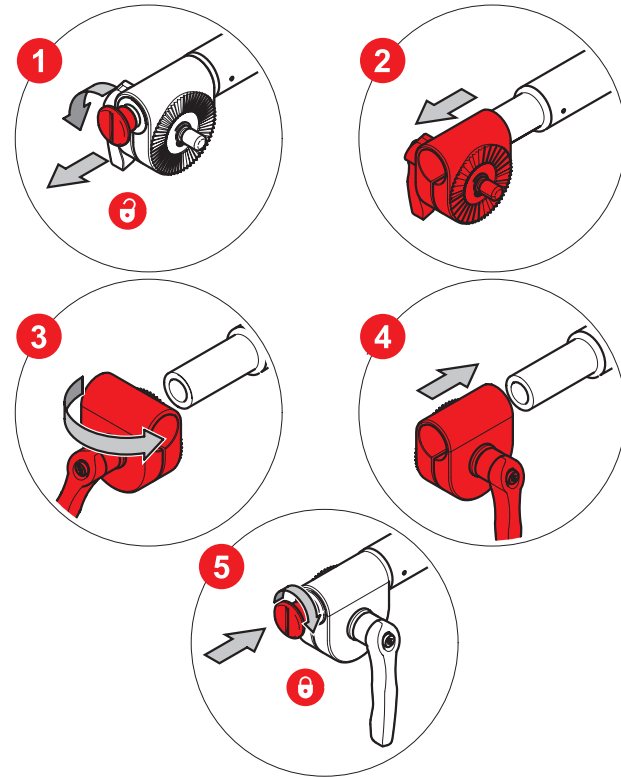
Adjusting the Pan Bar

To adjust the position of the pan bar, loosen the clamping screw sufficiently to allow the rosettes to rotate without fowling.



Configuring the Pan Bar

As standard, the pan bar is configured to mount on the right hand side of the fluid head. The pan bar can be configured for left hand mounting, as follows:



Installation

Balancing the Payload

Before operating the fluid head, the payload (camera, lens and any other fitted accessories) must be correctly balanced to ensure safe and reliable operation.



WARNING! When balancing the payload, it is important to be aware of the potential danger that an unbalanced payload will fall away suddenly. Maintain a firm hold on the payload until the balance is set correctly.



WARNING! Risk of finger entrapment. Do not place fingers between the platform and the body of the fluid head.



CAUTION! Always hold the pan bar when making adjustments to the counterbalance or camera position.



CAUTION! The camera, pan bars and all accessories must be fitted in their operational position before balancing the head. Any equipment fitted or adjusted later can unbalance the fluid head.

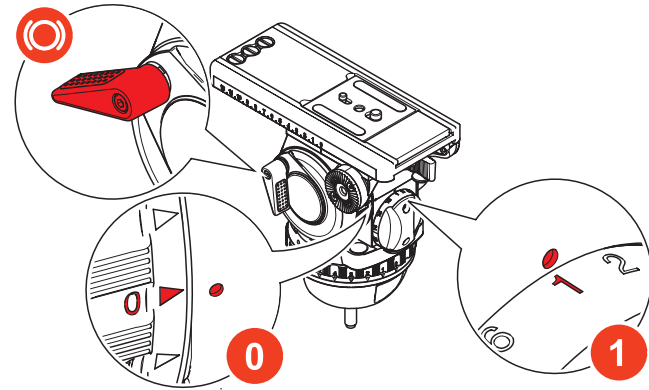
Adjusting the Centre of Gravity (C of G)

Before adjusting the counterbalance, the centre of gravity (C of G) of the payload must be centred precisely over the axis of the fluid head.



Ensure that the head is level before balancing.

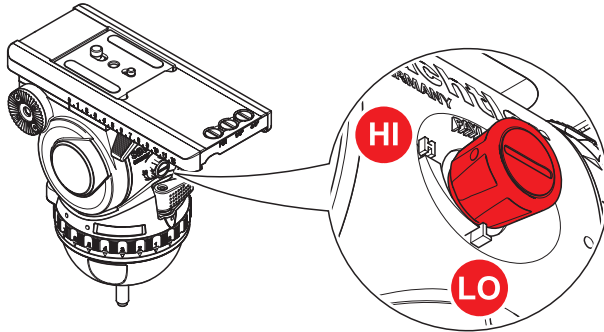
1. Apply the vertical brake and adjust the vertical setting of the fluid drag to "0". Set the counterbalance adjustment knob to "1". Note moving the counterbalance from one setting to another requires the head to pass the horizontal position to take affect.





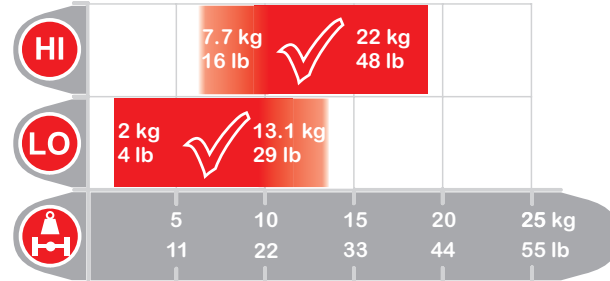
Note. The payload range shifter (boost button) is configured to the high setting as standard.

2. Estimate the overall weight of the payload. Using the reference charts, set the payload range shifter (boost button) to **LO** or **HI** as appropriate. Note moving the shifter from HI to LO takes affect immediately. Moving from LO to HI takes affect as the fluid head passes the horizontal position.

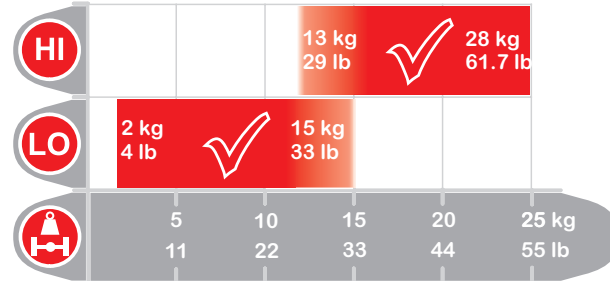


Observe that where there is an overlapping payload range on the chart, experimentation may be required between the **LO** and **HI** settings.

Video 18 S2



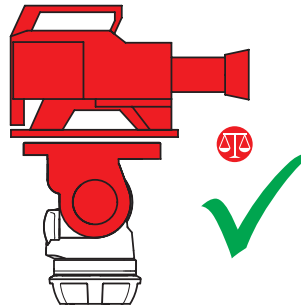
Video 20 S1



Installation

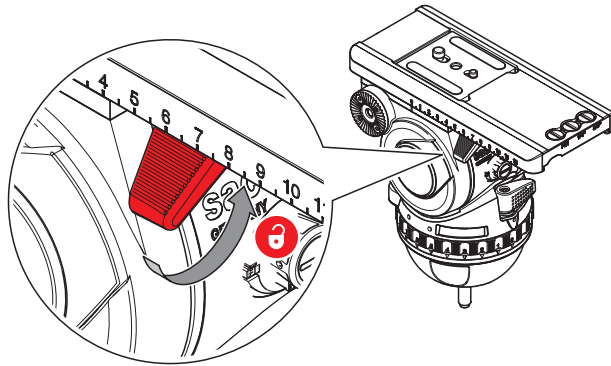
3. Hold the pan bar firmly, disengage the vertical brake. Observe how the payload moves and where it stops.

If the platform stops in a horizontal position (camera pointing directly forward) or falls away evenly in either direction, the balance is correct.

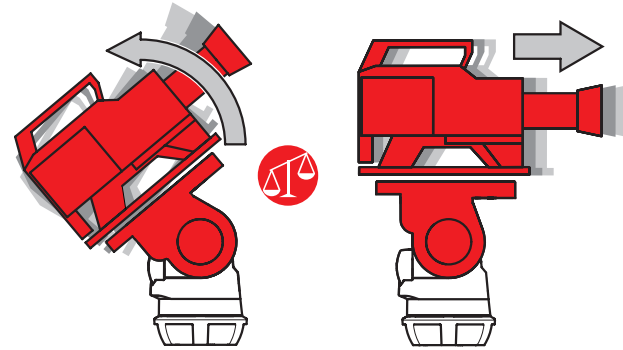


4. If the payload falls away in either direction (front or back heavy):

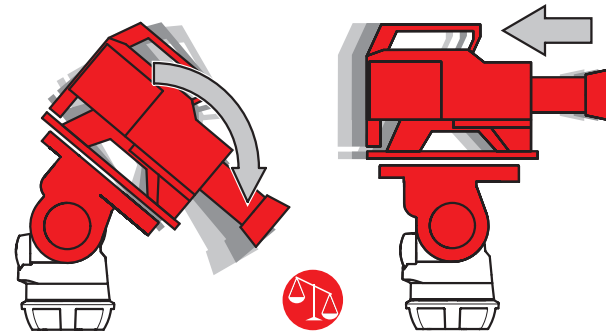
(a) Unlock the sliding balance plate by pushing back the red lever underneath the balance plate as far as possible.



(b) If the payload tilts backwards (points up), slide it towards the front of the fluid head (fore). Re-lock the sliding balance plate.



(c) If the payload tilts forwards (points down), slide it towards the rear of the fluid head (aft). Re-lock the sliding balance plate.

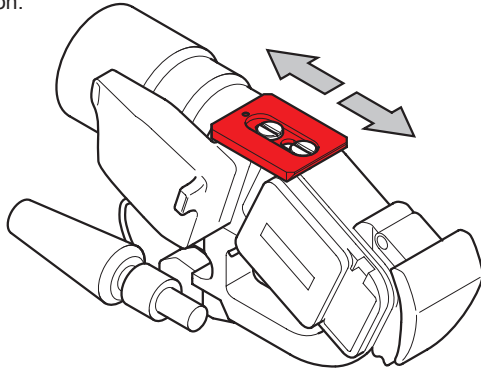


(d) Re-check the movement of the payload. If further adjustment is required, repeat steps a to c.

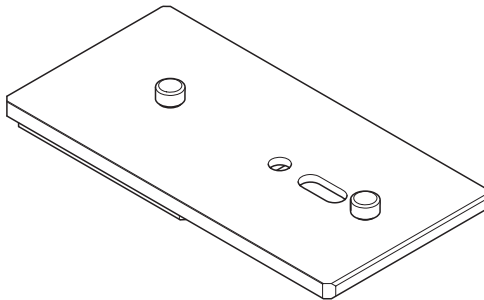
Additional C of G Adjustments

If it is not possible to correctly set the C of G of the payload using the standard method:

1. Move the camera plate to offset the payload further in the required direction.



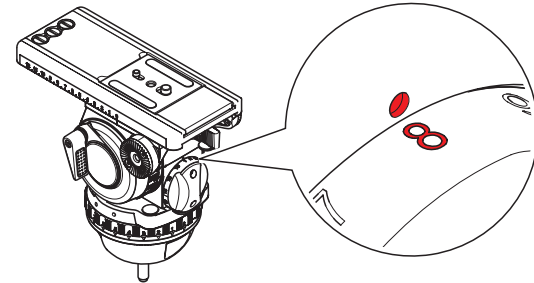
2. Use the C.O.G plate (# 1063) which is available as an accessory.



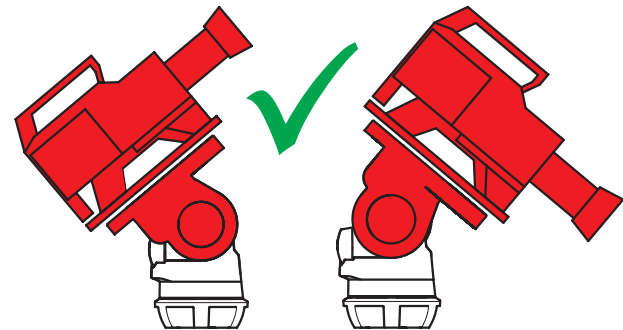
Adjusting the Counterbalance

The fluid head is equipped with a 16 step counterbalance adjuster to accurately balance the payload. Note, moving the counterbalance from one setting to another requires the head to pass the horizontal position to take affect.

1. Set the counterbalance adjustment knob to the mid-range setting (8).

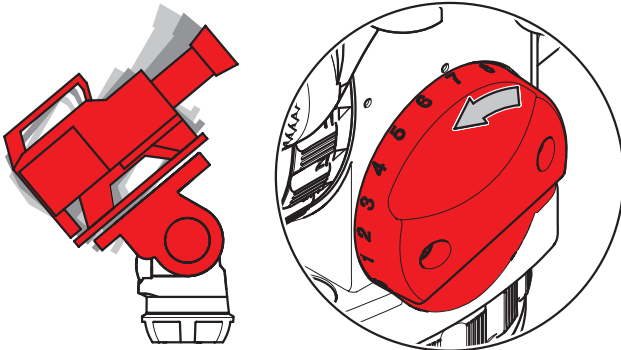


2. Tilt the payload approximately 30° in both directions and release it. If the payload stays in the same position when released, the payload is correctly balanced.

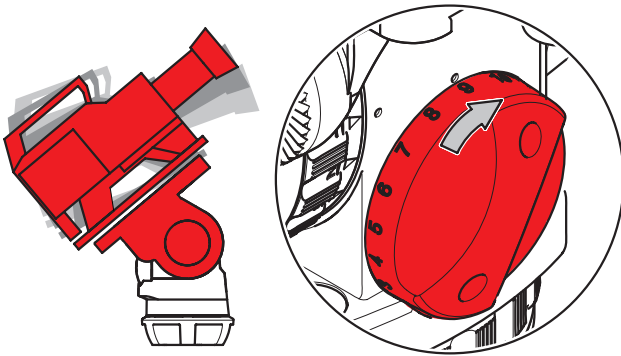


Installation

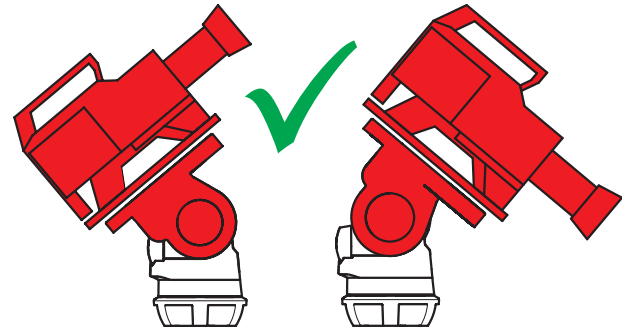
3. If the payload continues to move upwards when released, the balance is set too high. Lower the balance adjuster setting by one increment and retest.



4. If the payload continues to move backwards when released, the balance is set too low. Raise the balance adjuster setting by one increment and retest.



5. Tilt the payload through positive and negative angles of travel, checking that the payload remains at any angle of tilt unsupported.



If the payload angle falls or rises, repeat the balancing procedure (steps 3 and 4) until balance is achieved.

Adjusting the Drags

The fluid head is equipped with horizontal and vertical seven step drag controls. The drags help to eliminate jerks and vibrations when moving the fluid head during filming. The drags can also be fully disengaged.

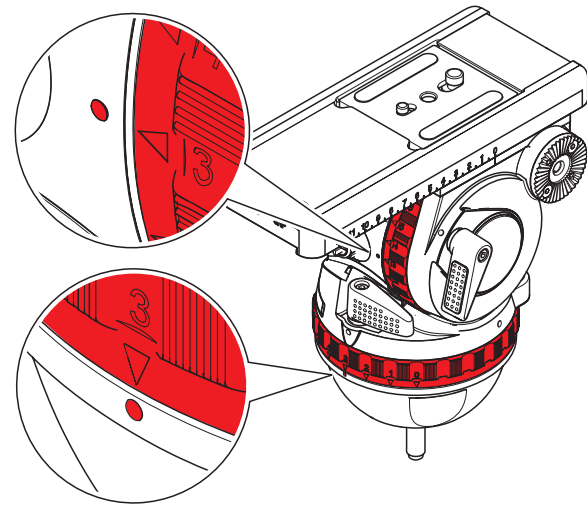


CAUTION! Always set the drag adjusters to the index positions. Setting the drag adjusters between index positions can cause serious damage to the fluid head.



Applying the same drag setting to the horizontal and vertical controls enables precise and even diagonal movement.

1. Turn the horizontal and vertical drag controls to the required index position (1 lowest, 7 highest drag resistance) by aligning the arrow with the dot marker. Turn the brakes off and engage the drag by slowly panning or tilting the camera.
2. Turn the drag controls to the 0 position to switch off the drag completely.



Installation

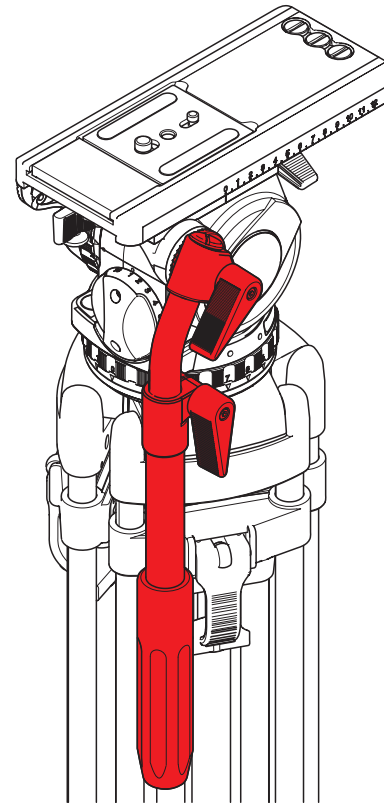
Transportation

To ensure smooth and reliable operation over the long life of the fluid head, the following settings should be applied to the controls during transportation or periods of storage:

Brakes	Open (OFF)
Counterbalance	Maximum (16)
Drags	Maximum (7)

Transporting with the Pan Bar

To transport the fluid head with the pan bar attached, stow in the vertical position with the tripod legs to prevent damage.



Cleaning and Inspection

Clean the fluid head regularly using a soft cloth. For heavier dirt use a soft brush and a mild detergent.

Regular inspections are not required.

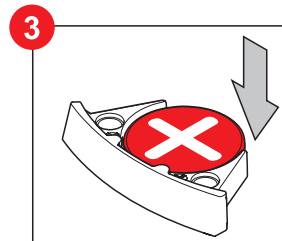
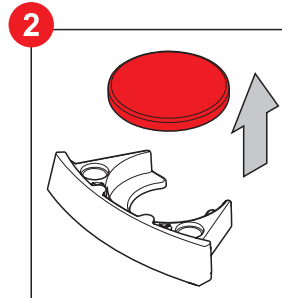
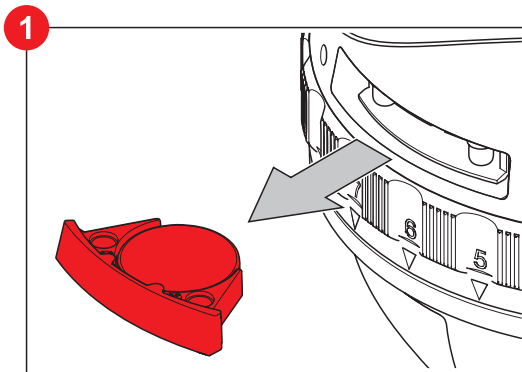
Changing the Battery

The illuminated bubble level is powered by one standard type button cell (CR2032, 3 V) located in the battery holder, which can be gently prised open with a flat bladed screwdriver.

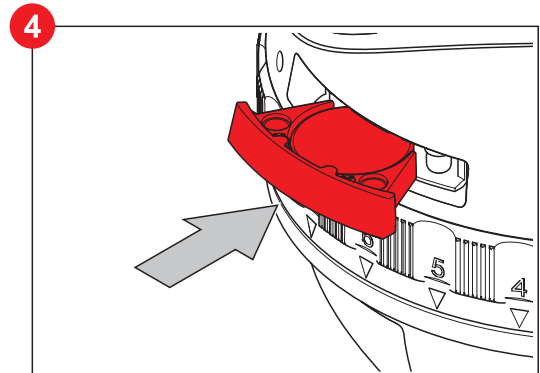
Observe the correct polarity of the battery when replacing.

Routine Maintenance

Periodically operate the horizontal and vertical drags through their full range of indexing to ensure the engaging pins in fluid head stay lubricated.



The battery should last for approximately 2000 illumination cycles.



Technical Specification



Weight (Video 18 S2)

4 kg (8.8 lb)



Payload range (Video 18 S2)

2 kg to 22 kg (4 lb to 48 lb)



Boost button, LO range (Video 18 S2)

1.5 kg to 13.1 kg (3.5 lb to 29 lb)



Boost button, HI range (Video 18 S2)

7.7 kg to 19.3 kg (16 lb to 42.5 lb)



Height

202mm (7.9")



Drags (horizontal and vertical)

7 steps, plus 0



Counterbalance steps

16



Camera plate sliding range

120 mm (4")



Temperature range

-40°C (-40°F) to 60°C (140°F)



Battery

CR 2032, 3V

(Video 20 S1)

4.1 kg (9 lb)

(Video 20 S1)

2 kg to 28 kg (4 lb to 61.7 lb)

(Video 20 S1)

1.5 kg to 15 kg (3.5 lb to 33 lb)

(Video 20 S1)

13 kg to 25 kg (29 lb to 55 lb)



Tilt range

+90°/-70° (depending on position of counterbalance knob)



Camera fitting

Touch & Go camera plate 16 (# 1064) camera attached either with 2 x 3/8" screws or 1 x 3/8" screw, 1 x 1/4" screw or 1 x 1/4" screw, 1 pin



Tripod/pedestal fitting

100 mm bowl



Pan bar type

Telescopic with attachment diameter of 18/22/32 mm (0.7/0.9/1.3"), length 350 to 520 mm (13.8 - 20.5")

We reserve the right to make changes to the product based on technical advances.

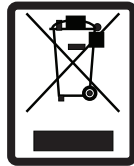
Declaration of Conformity



Videndum Limited declares that this product has been manufactured in accordance with BS EN ISO 9001:2008 and is in compliance with the essential requirements and other relevant provisions of the EC Directives 2004/108/EG EMC. A copy of the Declaration of Conformity is available on request.

Environmental considerations

European Union Waste of Electrical and Electronic Equipment (WEEE) Directive (2012/19/EU)



This symbol marked on the product or its packaging indicates that this product must not be disposed of with general household waste. In some countries or European Community regions separate collection systems have been set up to handle the recycling of electrical and electronic waste products. By ensuring this product is disposed of correctly, you will help prevent potentially negative consequences for the environment and human health. The recycling of materials helps conserve natural resources.

Visit our website for information on how to dispose of this product and its packaging.

In countries outside the EU:

Dispose of this product at a collection point for the recycling of electrical and electronic equipment according to your local government regulations.

Disposal of waste batteries

Any batteries included with this product must not be treated as household waste. By ensuring these batteries are disposed of correctly, you will help prevent potentially negative consequences for the environment and human health, and help conserve natural resources.

Read “Battery Replacement” section in this user guide for instructions on how to remove the battery from the product safely. Hand the battery over to the applicable collection point for recycling waste batteries.

Sicherheit

Wichtige Informationen bezüglich sicherer Montage und sicheren Betriebs dieses Produktes. Bitte lesen Sie diese Informationen vor Gebrauch des Produktes. Bitte lesen Sie diese Anleitung zu Ihrer eigenen Sicherheit. Bedienen Sie das Produkt nicht, wenn Sie keine Kenntnis über dessen sichere Bedienung haben. Bewahren Sie diese Anleitung für zukünftige Anwendungen auf.

Die in dieser Bedienungsanleitung verwendeten Warnsymbole

Die Bedienungsanleitung enthält Sicherheitshinweise. Diese Sicherheitshinweise müssen beachtet werden, um mögliche Personen- und Produktschäden zu vermeiden.



WARNUNG!

Besteht ein Risiko der Körperverletzung oder Schäden an Dritten, erscheinen durch das Warndreieck unterstützte Hinweise. Besteht ein Risiko für Schäden am Produkt, an zugehöriger Ausrüstung, am Prozess oder an Umgebungen, erscheinen durch das Wort **"ACHTUNG"** unterstützte Hinweise.

Gesundheit und Sicherheit



WARNUNG! Gefahr von Personenschäden oder Verletzung Dritter. Das gesamte Personal muss vollständig ausgebildet sein und hat korrekte manuelle Handhabungstechniken sowie die Gesundheits- und Sicherheitsvorschriften einzuhalten. Es liegt in der Verantwortlichkeit der lokalen Organisation, zu jeder Zeit sichere Arbeitsverfahren durchzusetzen.

Montage und Installation



WARNUNG! Montieren Sie keinen Fluidkopf auf ein Stativ, das nicht die Gesamtmasse von Kopf und seiner vollen Traglast halten kann.



WARNUNG! Quetschgefahr für Finger. Langen Sie mit den Fingern nicht zwischen die Plattform und das Gehäuse des Fluidkopfes.



ACHTUNG! Verriegeln Sie immer die Horizontal- und Vertikalbremsen, wenn die Kamera montiert ist, aber nicht benutzt wird oder wenn der Fluidkopf auf dem Stativ nivelliert wird.



ACHTUNG! Halten Sie die Kamera beim Einsetzen in den oder Entnehmen vom Fluidkopf und beim Einstellen der Stativhöhe oder Stellfläche fest.



ACHTUNG! Halten Sie beim Einstellen des Gegengewichts oder der Kamerastellung immer den Schwenkarm fest. Verwenden Sie nicht den Schwenkarm, um das Stativ und den Fluidkopf anzuheben oder zu transportieren.



ACHTUNG! Befestigen Sie keine schweren Gegenstände am Schwenkarm.



ACHTUNG! Entnehmen Sie vor dem Transport immer die Kamera.

Wartung



WARNUNG! Die Montage nicht zugelassener Teile und/oder Zubehörteile oder die Durchführung der Wartung durch nicht autorisiertes Personal könnte die Sicherheit des Produkts beeinträchtigen. Dies kann ebenso dazu führen, dass die Geschäftsbedingungen der Produktgarantie ihre Wirksamkeit verlieren.



ACHTUNG! Verwenden Sie beim Austausch der Batterie nur den gleichen oder einen gleichwertigen Batterietyp wie zur Verwendung mit diesem Produkt empfohlen.

Bestimmungsgemäße Verwendung

Die Sachtler Video 18 S2 und Video 20 S1 Fluidköpfe wurden zur Gewährleistung weicher ruckfreier Schwenk- und Neigebewegungen entwickelt. Somit verfügt der Bediener über die vollständige Bildkontrolle mit einem weiten Winkelbereich.

Über diese Bedienungsanleitung

Diese Bedienungsanleitung wurde erstellt, um den Benutzer über die korrekte Verfahrensweise bezüglich Aufstellung, Betrieb und Wartung des Fluidkopfes anzuleiten.

Gewährleistung

Der Gewährleistungszeitraum für dieses Produkt beträgt 1 Jahr.

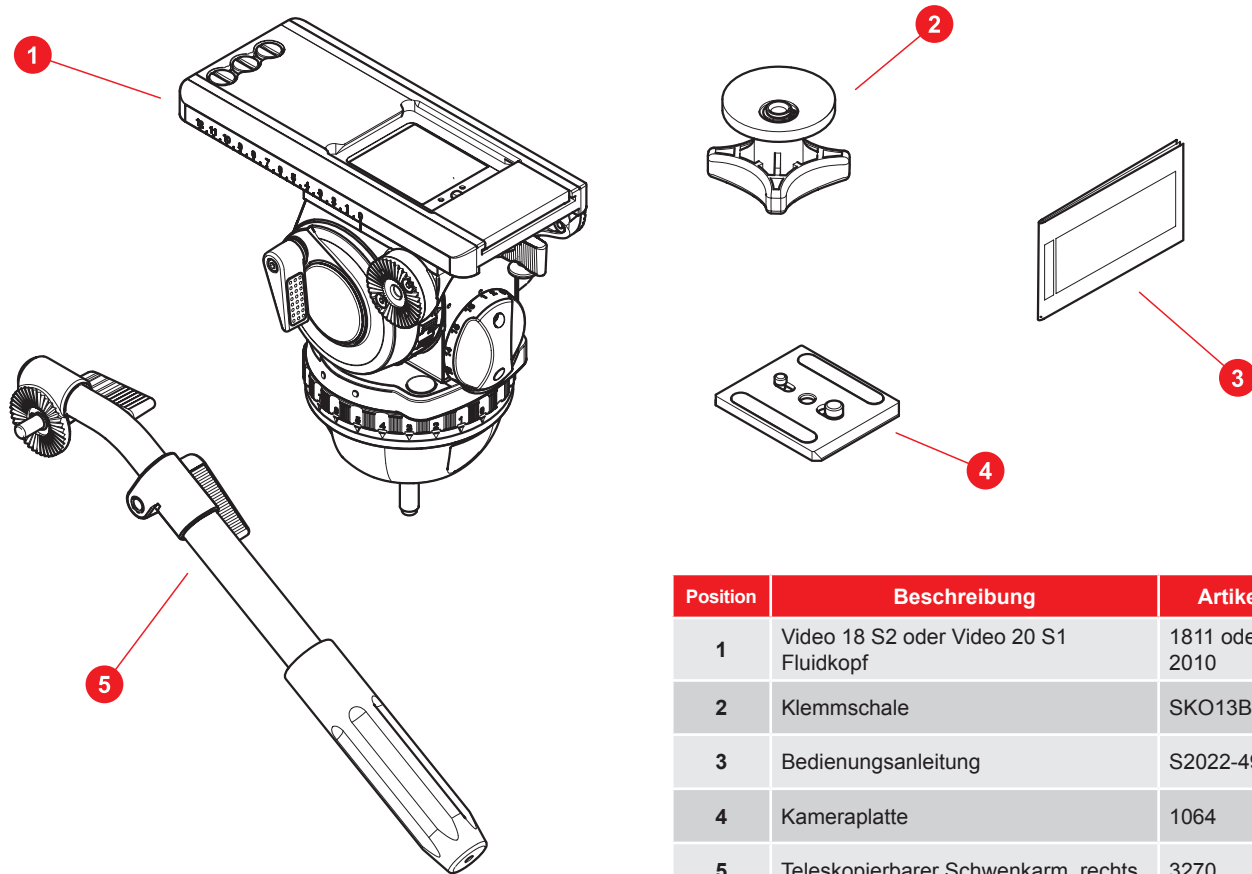
Der Gewährleistungsanspruch verfällt, wenn:

- der Fluidkopf unsachgemäß montiert oder nicht wie in dieser Bedienungsanleitung beschrieben verwendet wurde.
- das Kopfgehäuse von Unbefugten geöffnet wurde.

Erweiterter Gewährleistungszeitraum

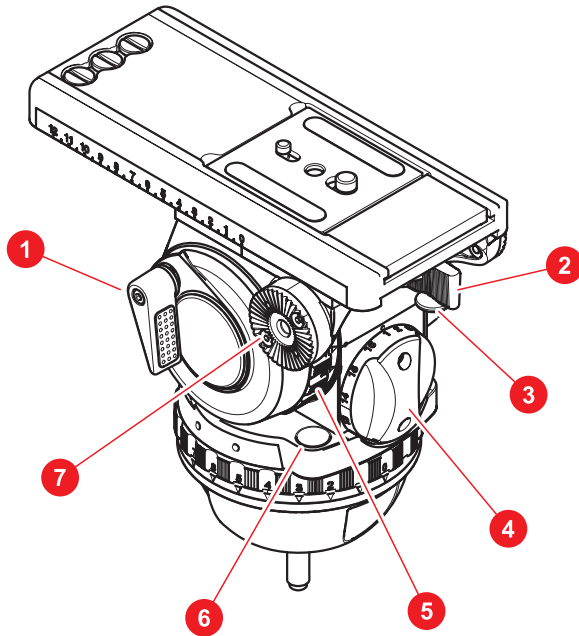
Bitte registrieren Sie sich unter www.sachtler.com, um einen erweiterten Gewährleistungszeitraum zu erhalten.

Lieferumfang



Position	Beschreibung	Artikel-Nr
1	Video 18 S2 oder Video 20 S1 Fluidkopf	1811 oder 2010
2	Klemmschale	SKO13B0366
3	Bedienungsanleitung	S2022-4980
4	Kameraplatte	1064
5	Teleskopierbarer Schwenkarm, rechts	3270

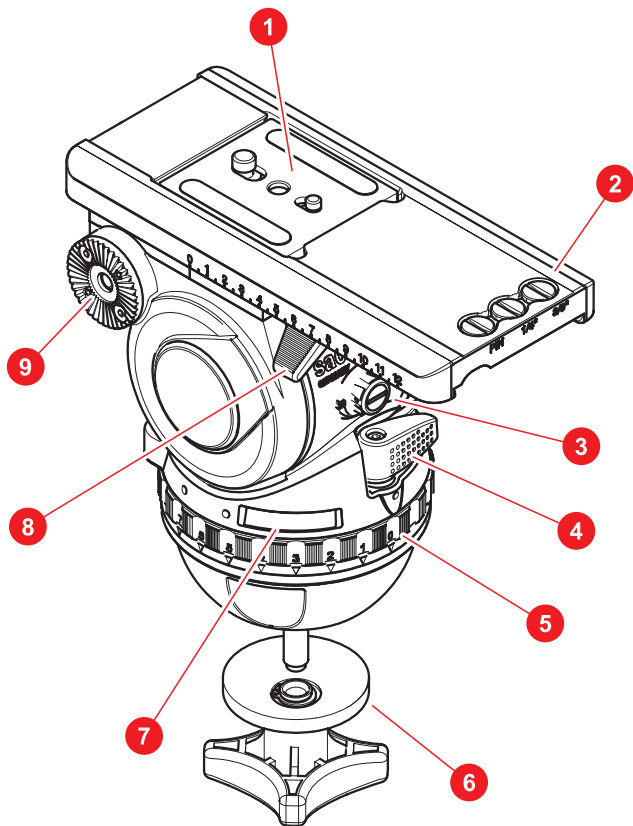
Ansicht von links



1	Vertikalbremse
2	Verriegelungshebel der Touch & Go Klemmung
3	Sperrknopf der Touch & Go Klemmung
4	Drehknopf zum Einstellen der Kamerabalance
5	Steuerring der Vertikaldämpfung
6	Selbstleuchtende Libelle (Touch Bubble)
7	Rosette für linken Schwenkarm

Bedienelemente

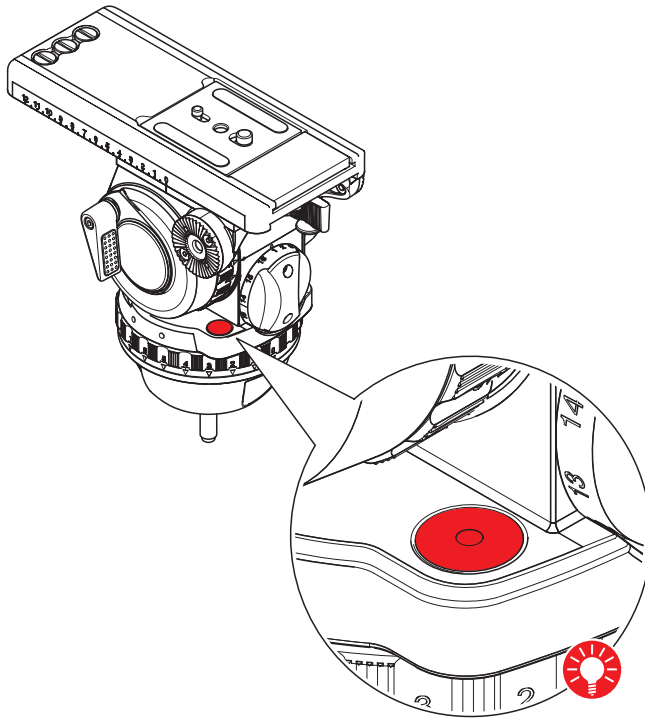
Ansicht von rechts



1	Kameraplatte
2	Ersatz-Kameraschrauben
3	Traglastbereich-Stufenregler (Boost-Button)
4	Horizontalbremse
5	Steuerring der Horizontaldämpfung
6	Klemmschale
7	Batteriefach für selbstleuchtende Libelle (Touch Bubble)
8	Verriegelungshebel für Kameraverschiebeplatte
9	Rosette für rechten Schwenkarm

Selbstleuchtende Libelle (Touch Bubble)

Dank einer selbstleuchtenden Libelle (Touch Bubble) kann der Fluidkopf auch bei schlechten Lichtverhältnissen nivelliert werden. Die Beleuchtung wird durch Tippen auf die Libelle aktiviert und schaltet sich nach ca. 20 Sekunden automatisch wieder ab.

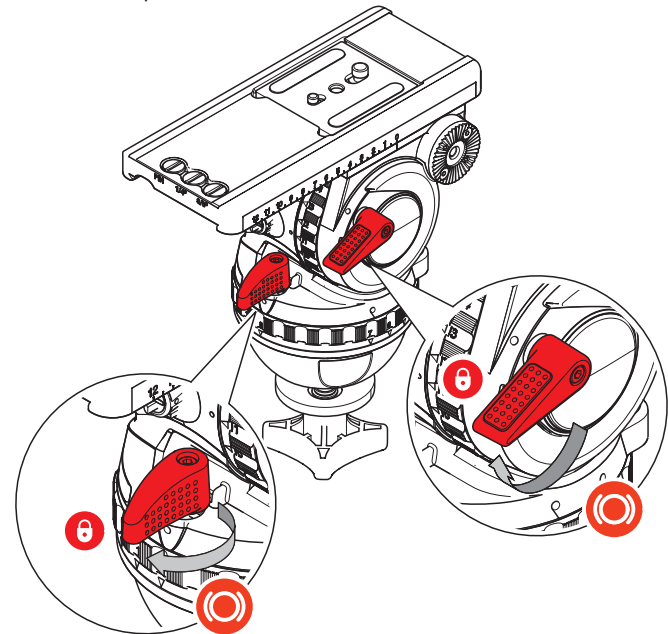


Montage des Fluidkopfes

Der Fluidkopf wurde zur Montage auf Sachtler Stativen mit einer Stativschraube mit 100-mm-Kugelschale konzipiert. Der Fluidkopf kann mit einem FB-Converter (# 3913) auf einen Slider oder ein Pedestal montiert werden.

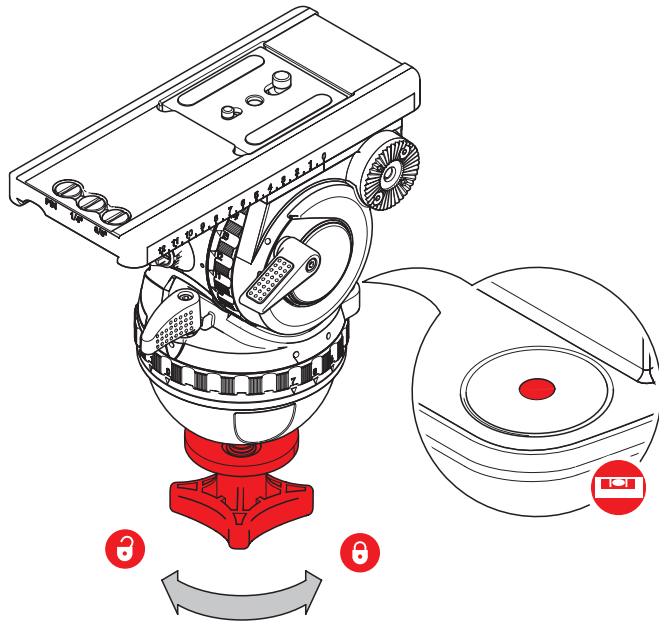
Nivellieren des Fluidkopfes

1. Betätigen Sie die Horizontal- und Vertikalbremsen und halten Sie den Fluidkopf mit der Hand fest.



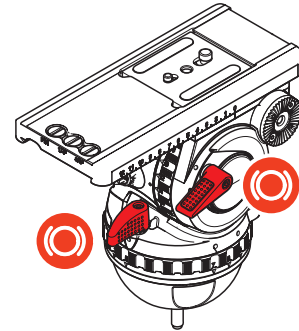
Montage

2. Lösen Sie die Klemmschale und bewegen Sie den Fluidkopf so lange, bis die Luftblase der Libelle mittig ausgerichtet ist. Ziehen Sie die Klemmschale wieder fest und überprüfen Sie, ob die Libelle zentriert bleibt, wenn der Kopf um vollständige 360° gedreht wird.

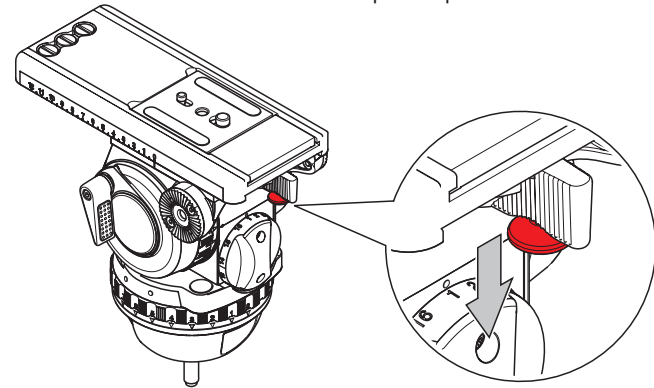


Einsatz und Entnahme der Kamera

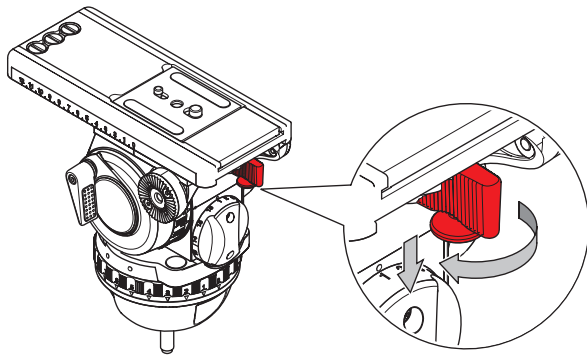
1. Schliessen Sie die Horizontal- und Vertikalbremsen.



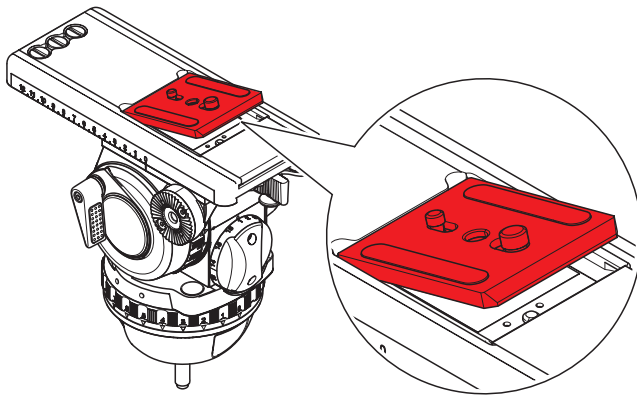
2. Halten Sie die Platte oder Kamera mit der einen Hand fest. Greifen Sie den Verriegelungshebel mit Daumen und Zeigefinger der anderen Hand und ziehen Sie den Sperrknopf nach unten.



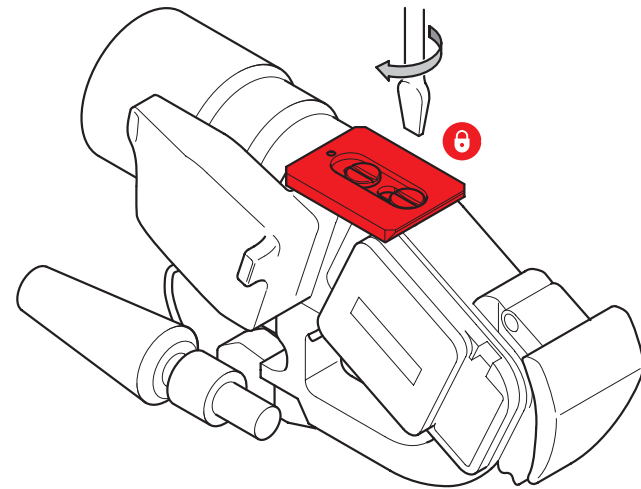
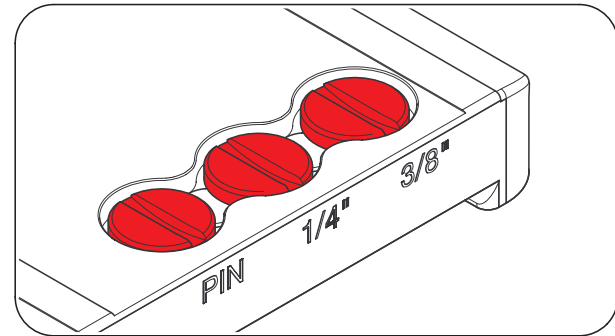
3. Schieben Sie mit nach unten gedrücktem Sperrknopf den Verriegelungshebel bis zum linken Anschlag.



4. Sie können jetzt die Kameraplatte oder Kamera entnehmen.

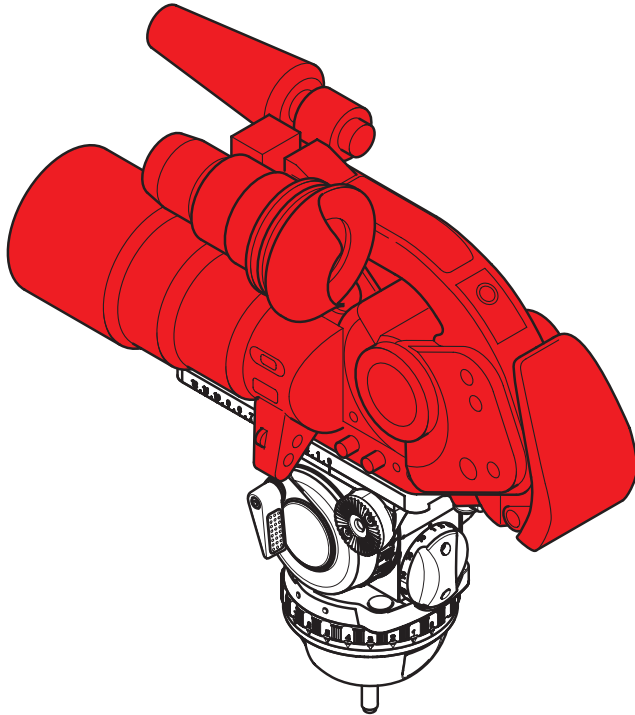


5. Befestigen Sie die Kameraplatte ungefähr im Schwerpunkt der Kamera. In der Kameraplattform sind zusätzliche Schrauben vorhanden.



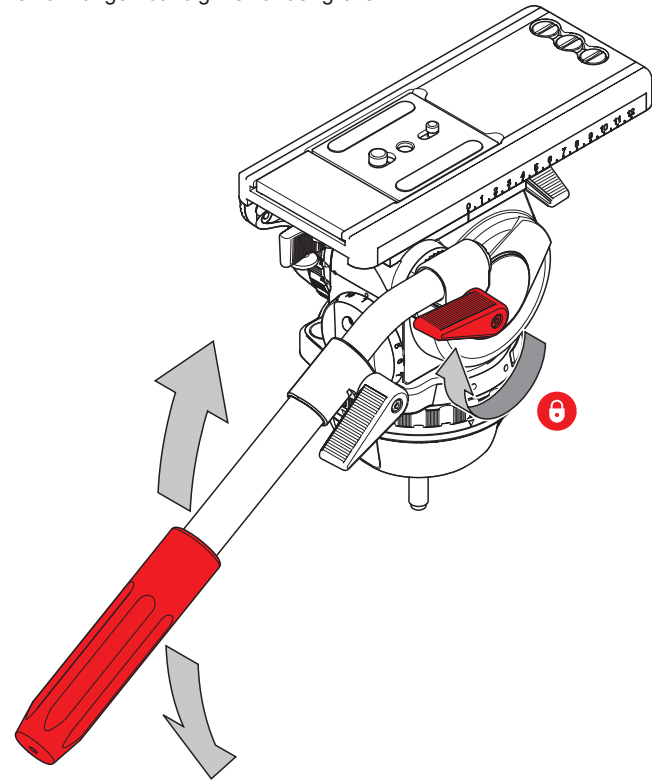
Montage

6. Setzen Sie die Kameraplatte auf der Plattform ein. Sie rastet automatisch ein und der Verriegelungshebel schnell hörbar in seine Ausgangsposition zurück.



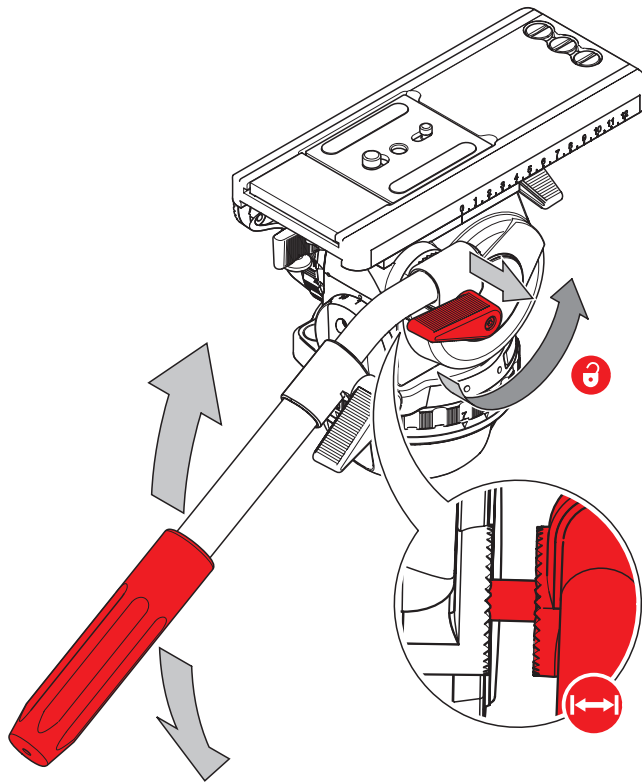
Schwenkarmmontage

Bringen Sie den Schwenkarm in die gewünschte Position, ziehen Sie die Klemmschraube fest und stellen Sie dabei sicher, dass die Verzahnungen bündig ineinander greifen.



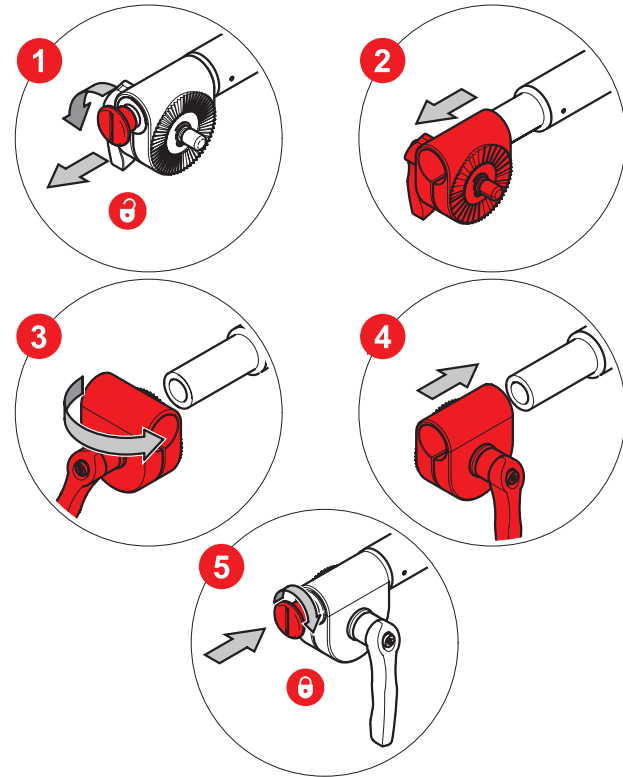
Schwenkarmverstellung

Lösen Sie zum Verstellen des Schwenkarms die Klemmschraube weit genug, so dass sich die Rosetten ohne Rattern drehen können.



Schwenkarmkonfiguration

Standardmäßig ist der Schwenkarm für die Montage auf der rechten Seite des Fluidkopfes konfiguriert. Der Schwenkarm kann wie folgt auch auf der linken Seite montiert werden:



Montage

Einstellen der Kamerabalance

Vor dem Betrieb des Fluidkopfes muss die Kamerabalance (Kamera, Objektiv und alles weitere Montagezubehör) zur Gewährleistung eines sicheren und zuverlässigen Betriebs korrekt eingestellt werden.



WARNUNG! Beim Einstellen der Kamerabalance besteht die Gefahr, dass eine nicht balancierte Kamera plötzlich kippt. Sichern Sie die Kamera so lange, bis das Gewichtsgleich richtig hergestellt wurde.



WARNUNG! Quetschgefahr für Finger. Langen Sie mit den Fingern nicht zwischen die Plattform und das Gehäuse des Fluidkopfes.



ACHTUNG! Halten Sie beim Einstellen des Gewichtsgleichs oder der Kamerastellung immer den Schwenkarm fest.



ACHTUNG! Vor dem Gewichtsgleich des Fluidkopfes müssen Kamera, Schwenkarm und jegliches Zubehör in ihrer Betriebsposition montiert werden. Jedes Zubehör, das später montiert oder eingestellt wird, kann den Fluidkopf wieder aus dem Gleichgewicht bringen.

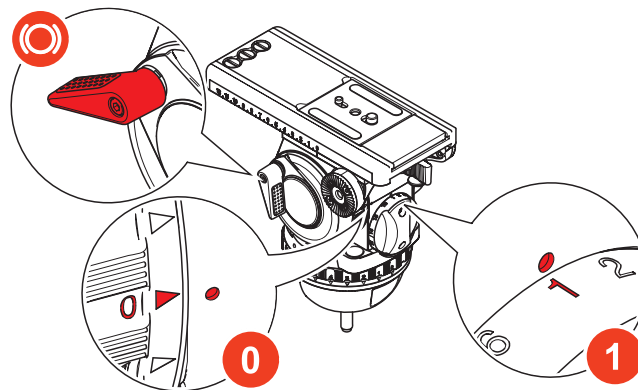
Einstellen des Schwerpunktes (Centre of Gravity, C of G)

Vor dem Einstellen des Gewichtsgleichs muss der Schwerpunkt (C of G) der Traglast genau über dem Drehpunkt des Fluidkopfes zentriert werden.



Stellen Sie vor dem Gewichtsgleich sicher, dass der Fluidkopf waagrecht ist.

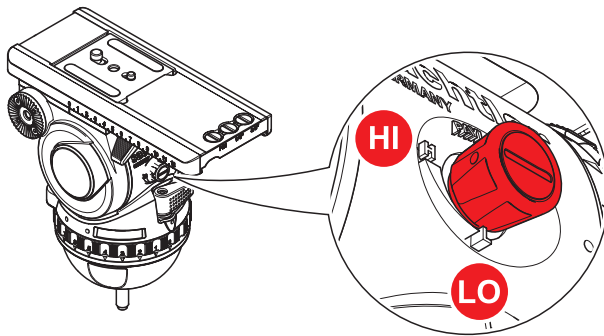
1. Betätigen Sie die Vertikalbremse und stellen Sie den Steuerring der Vertikaldämpfung des Fluidkopfes auf „0“. Stellen Sie den Drehknopf zum Einstellen der Kamerabalance auf „1“. Hinweis: Beim Ändern auf eine andere Stufe des Gewichtsgleichs muss der Kopf durch die Null-Lage geschwenkt werden, damit dies wirksam wird.





Hinweis: Der Traglastbereich-Stufenregler (Boost-Button) ist standardmäßig auf eine „hohe“ Einstellung eingestellt.

2. Schätzen Sie das Gesamtgewicht der Traglast. Stellen Sie mithilfe der Referenzdiagramme den Traglastbereich-Stufenregler (Boost-Button) wie jeweils anwendbar auf **LO** oder **HI**. Hinweis: Das Bewegen des Stufenreglers von HI auf LO wird sofort aktiv. Das Bewegen des Stufenreglers von LO auf HI wird erst aktiv, nachdem der Fluidkopf durch die Null-Lage geschwenkt wird.

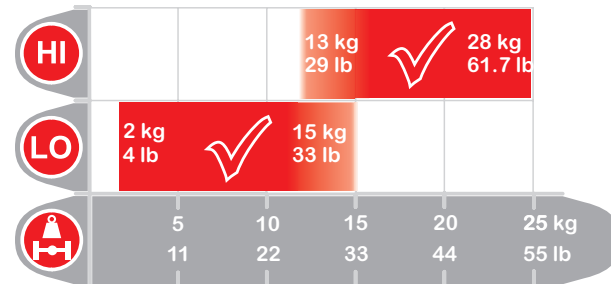


Bei einem sich überlappenden Traglastbereich auf dem Diagramm könnten einige Versuche zwischen den **HI**- und **LO**-Einstellungen erforderlich sein.

Video 18 S2



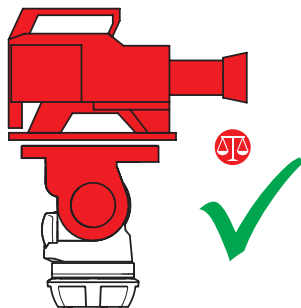
Video 20 S1



Montage

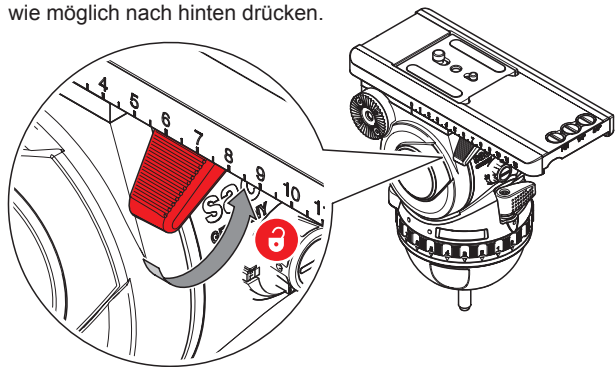
3. Halten Sie den Schwenkarm fest und lösen Sie die Vertikalbremse. Beobachten Sie, wie sich die Traglast bewegt und wo sie anhält.

Stopp die Plattform in einer horizontalen Position (Kamera zeigt direkt nach vorne) oder kippt sie gleichmäßig in eine beliebige Richtung, ist die Balance korrekt eingestellt.

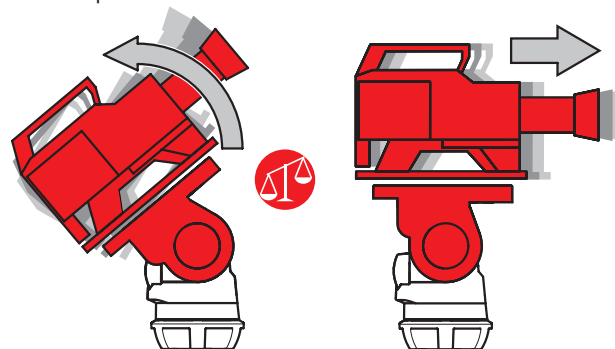


4. Sollte die Traglast in eine der beiden Richtungen kippen (front- oder hecklastig sein), dann:

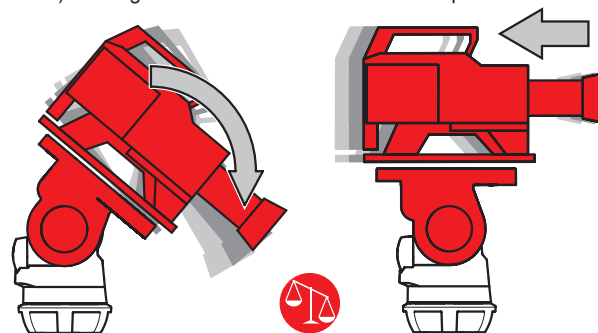
- (a) lösen Sie die Klemmung der verschiebbaren Balanceplatte, indem Sie den roten Hebel unterhalb der Balanceplatte so weit wie möglich nach hinten drücken.



- (b) Kippt die Traglast nach hinten (Kamera zeigt nach oben), schieben Sie die Kamera in Richtung der Vorderseite des Fluidkopfes (nach vorn). Verriegeln Sie die verschiebbare Balanceplatte wieder.



- (c) Kippt die Traglast nach vorne (Kamera zeigt nach unten), schieben Sie die Kamera in Richtung der Rückseite des Fluidkopfes (nach hinten). Verriegeln Sie die verschiebbare Balanceplatte wieder.

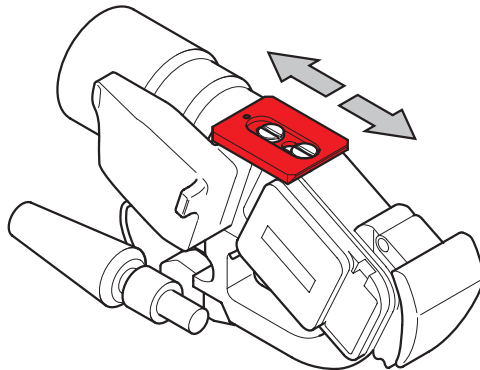


- (d) Überprüfen Sie erneut die Bewegung der Traglast. Sollten weitere Einstellungen notwendig sein, wiederholen Sie die Schritte a bis c.

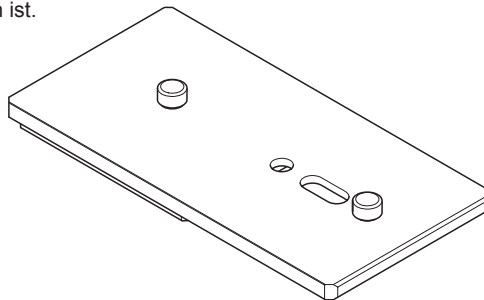
Zusätzliche Einstellung des Schwerpunktes (C of G)

Wenn eine korrekte Einstellung des Schwerpunktes mithilfe der Standardverfahren nicht möglich ist:

1. Ändern Sie die Position der Kameraplatte, um die Traglast weiter in die gewünschte Richtung zu versetzen.



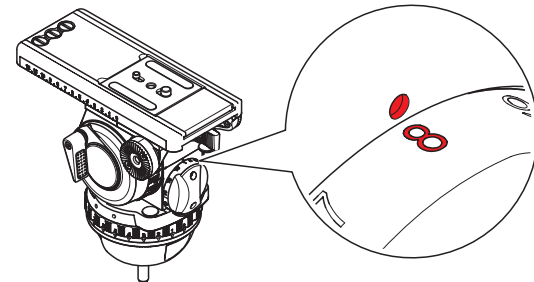
2. Verwenden Sie die Schwerpunktplatte (# 1063), die als Zubehör erhältlich ist.



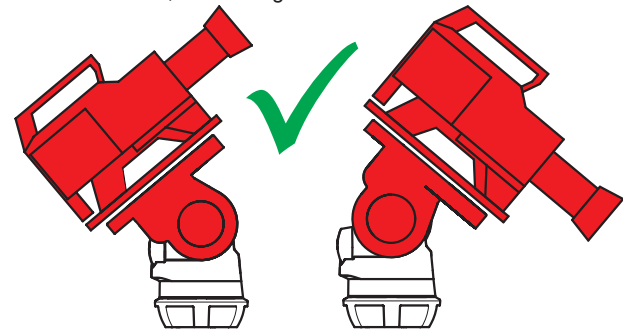
Einstellen des Gewichtsausgleichs

Für eine korrekte Kamerabalance verfügt der Fluidkopf über einen 16-stufigen Gewichtsausgleich. Beachten Sie, dass beim Ändern der Stufe des Gewichtsausgleichs der Kopf die horizontale Position passieren muss, damit dies wirksam wird.

1. Stellen Sie den Drehknopf zum Einstellen der Kamerabalance auf die mittlere Einstellung (8).

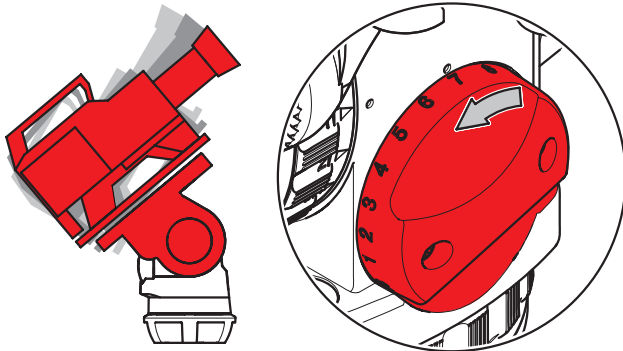


2. Kippen Sie die Traglast in beiden Richtungen um ca. 30° und lassen Sie die Kamera los. Bleibt die Kamera nach Freigabe in derselben Position, ist die Traglast korrekt ausbalanciert.

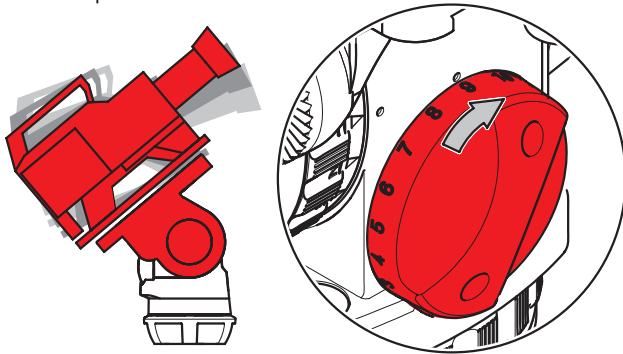


Montage

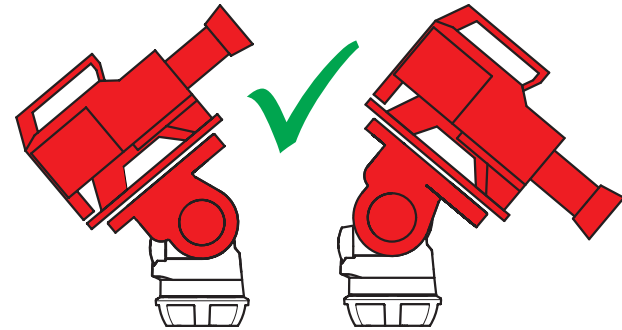
3. Bewegt sich die Traglast nach Freigabe weiter nach oben, ist das Gleichgewicht zu hoch eingestellt. Verstellen Sie den Drehknopf zum Einstellen des Gewichtsenausgleichs um eine weitere Stufe nach unten und prüfen Sie das Verhalten erneut.



4. Bewegt sich die Traglast nach Freigabe weiter nach hinten, ist das Gleichgewicht zu niedrig eingestellt. Verstellen Sie den Drehknopf zum Einstellen des Gewichtsenausgleichs um eine weitere Stufe nach oben und prüfen Sie das Verhalten erneut.



5. Neigen Sie die Traglast durch positive und negative Schwenkwinkel und überprüfen Sie, dass die Traglast ohne Unterstützung in jedem beliebigen Neigungswinkel stehen bleibt.



beliebigen Neigungswinkel stehen bleibt.



Ist die Kamera front- oder hecklastig, wiederholen Sie den Ausgleichsvorgang (Schritte 3 und 4), bis die Balance erreicht ist.

Einstellen der Dämpfung

Der Fluidkopf verfügt horizontal und vertikal über je sieben Dämpfungsstufen. Durch die Dämpfungen werden Rucken und Vibrationen beim Bewegen des Fluidkopfes während der Dreharbeiten verhindert. Die Dämpfung kann auch vollständig abgeschaltet werden.

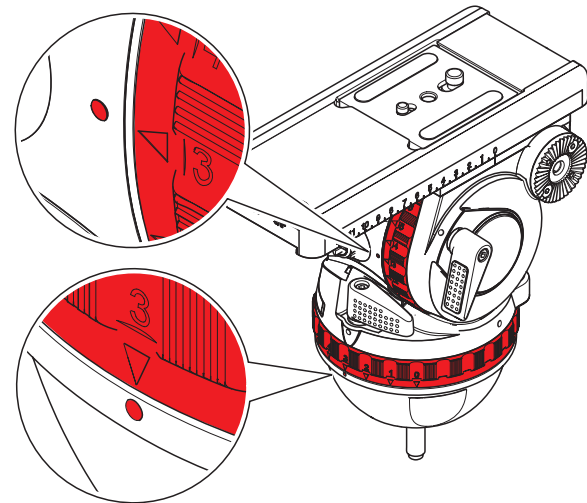


ACHTUNG! Stellen Sie die Steuerringe der Dämpfung immer auf die Indexpositionen. Das Einstellen der Steuerringe der Dämpfung zwischen den Indexpositionen kann zu schwerer Beschädigung des Fluidkopfes führen.



Durch die gleichen Dämpfungseinstellungen der Steuerringe der Horizontal- und Vertikaldämpfung sind saubere und ruckfreie Diagonalbewegungen möglich.

1. Drehen Sie die Steuerringe der Horizontal- und Vertikaldämpfung auf die gewünschte Indexposition (1 ist die niedrigste und 7 die höchste Dämpfungsstufe), indem Sie den Pfeil auf die Punktmarkierung ausrichten. Lösen Sie die Bremsen und aktivieren Sie die Dämpfung, indem Sie die Kamera langsam schwenken oder neigen.
2. Drehen Sie die Steuerringe der Dämpfung auf die Nullstellung (0), um die Dämpfung vollständig abzuschalten.



Montage

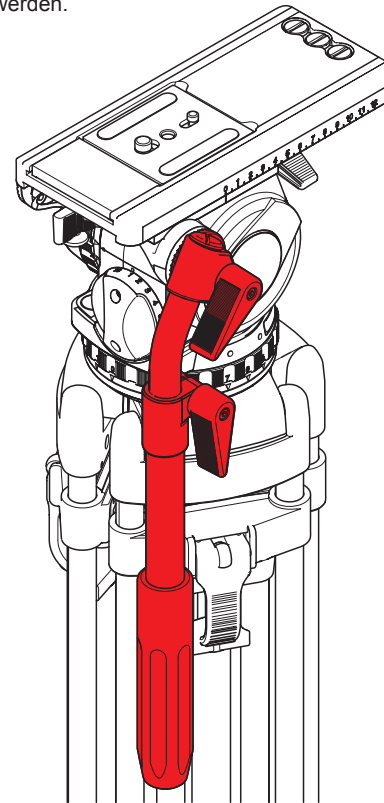
Transport

Um einen reibungslosen und zuverlässigen Betrieb über die lange Lebensdauer des Fluidkopfes zu gewährleisten, sollten beim Transport oder während der Lagerung folgende Einstellungen vorgenommen werden:

Bremsen	Offen (AUS)
Gegengewicht	Auf maximaler Einstellung (16)
Dämpfung	Auf maximaler Einstellung (7)

Transport mit montiertem Schwenkarm

Für den Transport des Fluidkopfes mit montiertem Schwenkarm kann der Schwenkarm in vertikale Position zu den Stativbeinen hin geschwenkt werden.



Reinigung und Inspektion

Reinigen Sie den Fluidkopf regelmäßig mit einem weichen Tuch. Bei stärkerer Verschmutzung können Schmutzablagerungen mit einer weichen Bürste und mildem Reinigungsmittel entfernt werden.

Es sind keine regelmäßigen Kontrollen erforderlich.

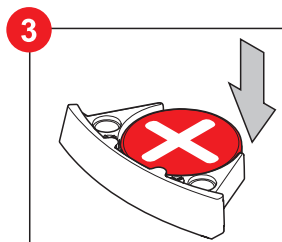
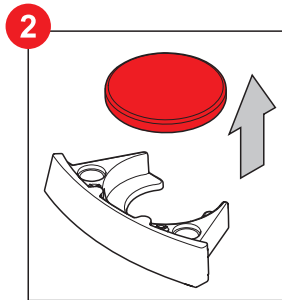
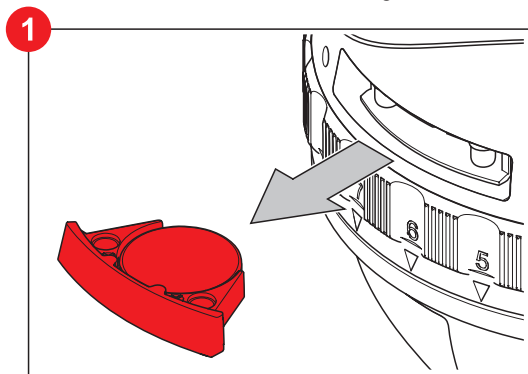
Austausch der Batterie

Die selbstleuchtende Libelle wird durch eine Knopfzelle des Standardtyps (CR2032, 3 V) betrieben, die sich im Batteriefach befindet. Dieses kann mit einem flachen Schlitzschraubendreher vorsichtig geöffnet werden.

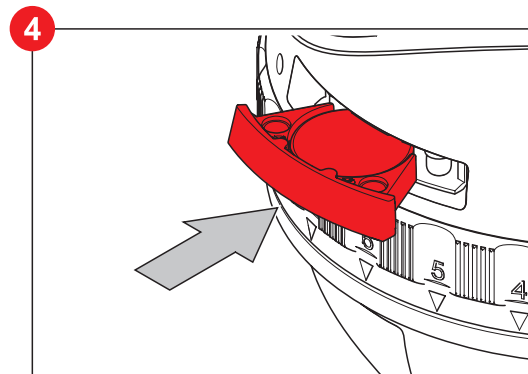
Achten Sie beim Austausch auf die richtige Polarität der Batterie.

Routinemäßige Wartung

Betätigen Sie die Steuerringe der Horizontal- und Vertikaldämpfung regelmäßig über den gesamten Indexbereich, um zu gewährleisten, dass die in den Fluidkopf einrastenden Stifte geschmiert bleiben.



Die Batterie hält für ungefähr 2000 Beleuchtungszyklen.



Technische Spezifikationen



Gewicht (Video 18 S2)

4 kg (8,8 lb)



Traglastbereich (Video 18 S2)

2 kg bis 22 kg (4 lb bis 48 lb)



Boost-Button, LO-Bereich (Video 18 S2)

1,5 kg bis 13,1 kg (3,5 lb bis 29 lb)



Boost-Button, HI-Bereich (Video 18 S2)

7,7 kg bis 19,3 kg (16 lb bis 42,5 lb)



Höhe

202 mm (7,9 in.)



Dämpfungsstufen (horizontal und vertikal)

7-stufig, plus 0



Stufenschaltung zum Gewichtsausgleich

16



Verschieberegion der Kameraplatte

120 mm (4 in.)



Temperaturbereich

-40 °C (-40 °F) bis 60 °C (140 °F)



Batterie

CR 2032, 3V

(Video 20 S1)

4,1 kg (9 lb)

(Video 20 S1)

2 kg bis 28 kg (4 lb bis 61.7 lb)

(Video 20 S1)

1,5 kg bis 15 kg (3,5 lb bis 33 lb)

(Video 20 S1)

13 kg bis 25 kg (29 lb bis 55 lb)



Neigebereich

+90°/-70° (abhängig von der Stellung des Drehknopfes zum Einstellen der Kamerabalance)



Kameramontage

Touch & Go Kameraplatte 16 (# 1064). Montage der Kamera entweder mit 2 x 3/8 in. Schrauben oder 1 x 3/8 in. Schrauben, 1 x 1/4 in. Schraube oder 1 x 1/4 in. Schraube, 1 Pin



Stativ-/Pedestalmontage

100-mm-Kugelschale



Schwenkarmtyp

Teleskoparm mit Anschlussdurchmesser von 18/22/32 mm (0,7/0,9/1,3 in.), Länge 350 bis 520 mm (13,8 - 20,5 in.)

Wir behalten uns das Recht vor, Änderungen gemäß technischem Fortschritt durchzuführen.

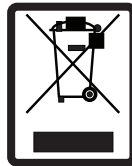
Konformitätserklärung



Videndum Limited erklärt, dass dieses Produkt in Übereinstimmung mit der Norm BS EN ISO 9001:2008 hergestellt worden ist sowie den wesentlichen Anforderungen und sonstigen anwendbaren Bestimmungen der Maschinenrichtlinie 2004/108/EC entspricht. Eine Kopie der Konformitätserklärung ist auf Anfrage erhältlich.

Umwelterwägungen

Elektro- und Elektronikgeräte-Abfall (WEEE) Richtlinie (2012/19/EG)



Dieses auf dem Produkt oder dessen Verpackung markierte Symbol weist darauf hin, dass dieses Produkt nicht mit gewöhnlichem Haushaltsabfall entsorgt werden soll. In einigen Ländern oder Regionen der Europäischen Gemeinschaft wurden getrennte Sammelsysteme zur Handhabung der Wiederverwertung von Elektrik- und Elektronikabfällen eingerichtet. Durch die ordnungsgemäße Entsorgung dieses Produkts helfen Sie dabei, mögliche negative Auswirkungen auf die Umwelt und menschliche Gesundheit zu verhindern. Die Wiederverwertung von Materialien hilft dabei, natürliche Ressourcen zu erhalten.

Besuchen Sie unsere Internetseite für Informationen über eine sichere Entsorgung dieses Produkts und dessen Verpackung.

In Ländern außerhalb der EU:

Entsorgen Sie dieses Produkt in Übereinstimmung mit Ihren lokalen gesetzlichen Bestimmungen an einer Sammelstelle für die Wiederverwertung von Elektrik- und Elektronikgeräten.

Entsorgung von Altbatterien

Alle mit diesem Produkt mitgelieferten Batterien dürfen nicht als Hausmüll behandelt werden. Durch die ordnungsgemäße Entsorgung dieser Batterien helfen Sie dabei, mögliche negative Auswirkungen auf die Umwelt und menschliche Gesundheit zu verhindern. Darüber hinaus helfen Sie, natürliche Ressourcen zu erhalten.

Im Abschnitt „Austausch der Batterie“ in dieser Bedienungsanleitung erhalten Sie Anweisungen, wie Sie die Batterie sicher aus dem Produkt entfernen. Geben Sie die Batterie an einer Annahmestelle für das Recycling von Altbatterien ab.

Publication No. S2022-4980/5



www.sachtler.com