

Video 60 Plus EFP
Manual
Benutzerinformation
Fluid Head
Fluidkopf



© by **sachtler®**. Alle Rechte vorbehalten / All rights reserved

Version: 2.9/02/12

Ausgabedatum / Issue date: 02/12

Bestellnr. / Order no.: sko16t050a



Originalbetriebsanleitung/Original User Manual

We want you to receive
Sachtler products that are
always state of the art.

Wir wollen, dass Ihre Sachtler
Produkte immer auf dem aktuell-
sten Stand sind.

Therefore we reserve the right
to make changes based on
technical advances.

Deswegen behalten wir uns
technische Änderungen vor.

sachtler®

Videndum Production Solutions

1	Safety instructions	1
2	Operating elements.....	1
3	Operation	2
3.1	Levelling of the fluid head.....	2
3.2	Removing of the camera plate	3
3.3	Mounting of the camera.....	3
3.4	Removing of the camera.....	3
3.5	Positioning of the camera.....	4
3.6	Adjusting the camera's counterbalance	5
3.7	Setting of the Damping.....	7
3.8	Brakes	7
3.9	Support for view finder extension.....	7
3.10	Change of the batteries	7
3.11	Transport setting of damping, counterbalance and brakes	8
4.	Technical specifications.....	9
4.1	General data	9
4.2	Dimensions	9
5	The modular system	10
5.1	Conversion of the Video 60 Plus EFP to include V-shaped wedge plate.....	10
5.2	Conversion of pan bars and rosette	11
5.3	Conversion of Video 60 Plus EFP to include flat base ..	11
5.4	Conversion of the Video 60 Plus EFP to include Mitchell base.....	11
6	Accessories.....	12
7	Warranty	12

Inhaltsverzeichnis

1	Sicherheitshinweise.....	14
2	Bedienelemente	14
3	Betrieb.....	15
3.1	Nivellieren des Fluidkopfes	15
3.2	Entnehmen der Kameraplatte	16
3.3	Einsetzen der Kamera	16
3.4	Entnehmen der Kamera	17
3.5	Zentrieren des Kameragewichts	17
3.6	Einstellen der Kamerabalance	18
3.7	Einstellen der Dämpfung.....	21
3.8	Bremsen.....	21
3.9	Sucherlupenstütze	21
3.10	Austausch der Batterien	21
3.11	Transportstellung von Dämpfung, Gewichts- ausgleich und Bremsen	22
4	Technische Daten	23
4.1	Allgemeine Daten	23
4.2	Abmessungen	23
5	Das Baukastensystem	24
5.1	Umbau des Video 60 Plus EFP auf V-Platte	24
5.2	Umbau der Schwenkarme mit Rosette	25
5.3	Umbau des Video 60 Plus EFP auf Flachboden	25
5.4	Umbau des Video 60 Plus EFP auf Mitchell.....	26
6	Zubehör.....	27
7	Gewährleistung	28

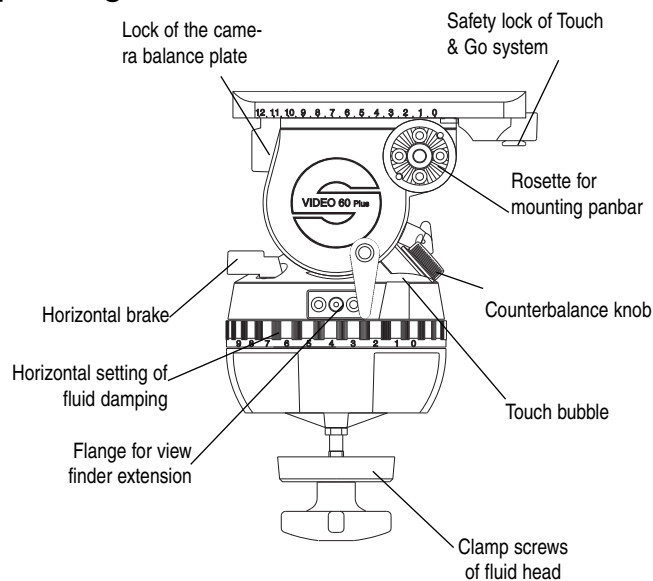


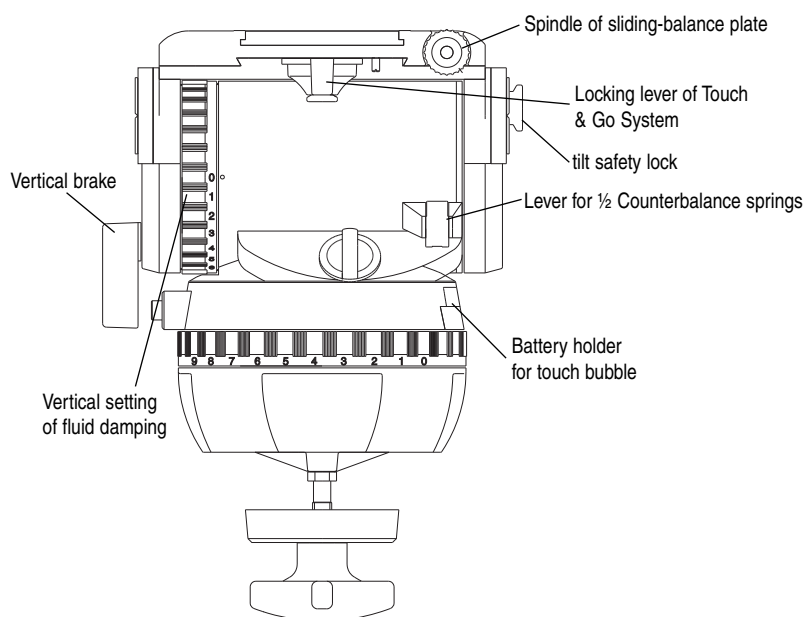


1 Safety instructions

- ⇨ *When the camera is mounted, the clamping screw of the Video 60 Plus EFP must only be released if camera and tripod are secured against falling over.*
- ⇨ *When placing the camera plate into the Video 60 Plus EFP, make sure not to hold fingers within the range of the locking lever, since it will snap back.*
- ⇨ *When releasing the vertical brake make sure that the camera is secured against any sudden movement.*
- ⇨ *Do not operate the fluid head upside down without the necessary securing devices, i.e. ropes etc.*
- ⇨ *Before transport reset fluid damping to "0"*

2 Operating elements





3 Operation

3.1 Levelling of the fluid head

The Video 60 Plus EFP has a bubble to facilitate levelling.

Apply the vertical brake of the Video 60 Plus EFP and hold the camera with one hand. Open the clamping screw of the fluid head and move the head in such a way, that the bubble moves into the levels black circle. Tighten the clamping screw firmly.

Touch Bubble

The Video 60 Plus EFP has a self illuminating spirit bubble which allows easy levelling even under unfavourable lighting conditions.

The illumination is activated by strong tapping on the bubble. The bubble will light up to 45 seconds.

3.2 Removing of the camera plate

The Video 60 Plus EFP comes with a Touch & Go quick release plate.

- ⇨ Hold the camera plate with one hand.
- ⇨ Grasp the locking lever with your thumb and index and pull down the red safety button.
- ⇨ Move the locking lever as far as possible to the left (audible clicking) and take out the camera plate.

3.3 Mounting of the camera

Attach the camera plate to the tripod adapter plate (camera accessory) around the camera's centre of gravity.

- ⇨ Turn the counterbalance knob to position 9
- ⇨ Apply horizontal brake and release vertical brake
- ⇨ The springs of the counterbalance engage automatically by tilting the camera through the horizontal position (audible clicking).
- ⇨ Lock the head with the tilt safety lock.

The blocking and clicking into position of the tilt safety lock is achieved by pulling out the red knob and turning it 90°. Green marking on the red knob becomes visible.

Make sure that the tilt safety lock has engaged (the head can't be tilted any more).

- ⇨ Put the front of the camera plate in place first.
- ⇨ By fitting the camera onto the head it will lock automatically and the locking lever will snap back audibly into its initial position.

3.4 Removing of the camera

- ⇨ Lock the head with the tilt safety lock.

The blocking and clicking into position of the tilt safety lock is achieved by pulling out the red knob and turning it 90°. Green marking on the red knob becomes invisible.

Make sure that the tilt safety lock has engaged (The head can't be tilted any more).

- ⇒ Hold the camera with one hand.
- ⇒ Grasp the locking lever with your thumb and index and pull down the red safety button.
- ⇒ Move the locking lever as far as possible to the left and take out the camera plate.

3.5 Positioning of the camera

- ⇒ Hold the camera by securing the pan bar.
- ⇒ Apply horizontal brake and release vertical brake and tilt safety lock by pulling out the red knob and turning it 90°. Green marking on the red knob becomes visible (rocking the pan bars up and down will facilitate this).
- ⇒ Select 0 on the vertical drag adjustment ring.
- ⇒ Open the lock of sliding balance plate.

On the Video 60 Plus EFP you have to push back red lever underneath the balance plate as far as possible.

- ⇒ By turning the spindle forwards and backwards move the camera until you have reached a position where the camera is balanced horizontally. Rear-heavy cameras are moved to the front by turning the spindle clockwise, front-heavy cameras are moved to the back by turning the spindle anti-clockwise. You will find it easier when holding the camera in a horizontal position.
- ⇒ Secure sliding balance plate with clamping lever (spindle drive is self-locking, clamping serves to eliminate play).
- ⇒ Lock the balance plate on the Video 60 Plus EFP by pulling the red lever into its initial position.

Caution: *If you can't manage to center the camera, you should move the camera plate to a different position on the tripod mounting adapter.*

3.6 Adjusting the camera's counterbalance

- ⇒ Hold the camera by securing the pan bar.
- ⇒ Turn the counterbalance knob to that number which best compensates for the weight of the camera.
- ⇒ After each spring is released, check if the camera will remain in a tilted position, without moving upwards or downwards significantly.
- ⇒ Engaging or disengaging the right lever (small weight symbol) will apply or release half a spring which will help to select optimum counterbalance. When spring is engaged lever should be in an upright position, metal pin is not visible - if disengaged metal pin inside the lever is visible.

Please note: A lower counterbalance setting becomes immediately effective in any tilt position. An increase of the counterbalance setting will only be effective in the horizontal position (Springs must click in audibly).

3.6.1 Engaging and disengaging of fixed counterbalance springs (should only be performed in special situations)

The Video 60 Plus EFP has 4 fixed counterbalance springs which are always engaged in position "1" of the counterbalance knob. In certain situations it may be necessary to change this pre-setting - e.g. you may wish to disengage some springs in order to suit an ENG camera. If you disengage all 4 springs, position "1" of the counterbalance knob will spin free and you would compensate by the strength of the right lever only (half a spring).

All this is possible through a fairly simple procedure:

- ⇒ apply the tilt safety lock

- ⇒ open the lock of the balance plate by pushing the red lever underneath the balance plate as far as possible
- ⇒ keep on turning the knob of the spindle to the left until the balance plate is in the very rearmost position. You will see 4 tiny holes in the base plate above the 4 counterbalance fixing points (only from serial no. 60300 upwards)
- ⇒ you may now screw in (increasing of counterbalance strength) or screw out (decreasing of counterbalance strength) the hexagonal screws. For this you should use an allen key #2.

Caution: The screws always remain inside the head.

A counterbalance spring is disengaged if the screw's head is flush with the surface of the housing, i.e. it should not stick out. The spring is engaged if you can't see the silver head of the screw anymore because the screw is screwed in.

- ⇒ bring back the balance plate into its normal position
- ⇒ apply the lock of the balance plate
- ⇒ open the tilt safety lock.

3.6.2 Please note:

Fluid heads manufactured from the year 2000 onwards have a balance plate with quick adjustment. The balance plate can be set to different positions quickly.

- ⇒ apply the tilt safety lock; open the lock of the balance plate by pushing the red lever underneath the balance plate as far as possible
- ⇒ press the red knob on the right side next to the pan bars rosette; now the spindle is disengaged and the balance plate can slide without any resistance
- ⇒ when you have reached the position where the camera should be more or less balanced, you may release the knob

- ⇒ having heard the balance plate snapping in you carefully open the tilt safety lock
- ⇒ fine adjustment can now be performed via the spindle drive
- ⇒ last but not least you apply the lock of the balance plate again

3.7 Setting of the Damping

The Video 60 Plus EFP is equipped with nine damping levels horizontally and vertically and a zero setting. By turning the vertical setting and the horizontal setting one selects the desired level of the fluid damping.

Turn the setting ring to "0" in order to switch off the damping completely.

If you set the setting rings on the same index number (e. g. "3") the degree of the horizontal and vertical damping is identical and thus enables precise diagonal panning movements without jerks and vibrations.

3.8 Brakes

The horizontal brake applies the lock for the pan and the vertical brake for the tilt movement. Both brakes are vibrationless and can be used during shooting.

3.9 Support for view finder extension

The Video 60 Plus EFP has on its left side a preparation to accept a support system for a view finder extension.

3.10 Change of the batteries

The illumination is powered by three standard type button cells (625 U or LR9) located in the battery holder, which can be opened with a sharp object such as a screwdriver. Make sure to insert the new batteries according to the "plus" and "minus" symbols as indicated in the covering plate.

The batteries last for about 2000 illumination cycles.

3.11 Transport setting of damping, counterbalance and brakes

To ensure smooth operation of the setting rings for the damping over the long life time period of the fluid head, you should turn both setting rings from position "0" to maximum position, before and after the use of the fluid head.

Setting during transportation: the most important issue is to open both brakes - horizontal and vertical.

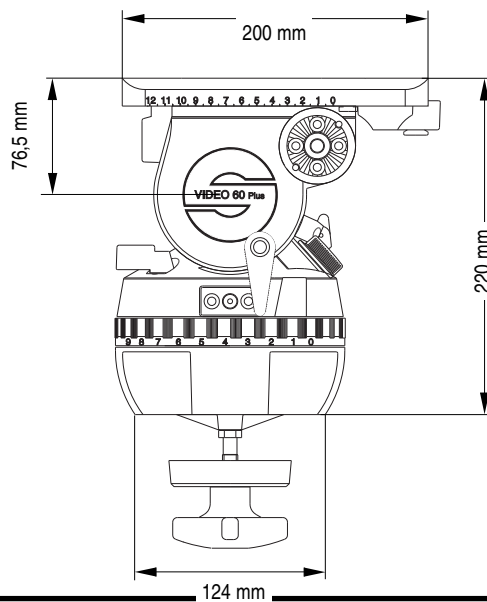
Counterbalance and damping should be set to maximum position.

4 Technical Specifications

4.1 General Data

Counterbalance:	137 Nm (in 18 steps)
Balance plate:	115 mm sliding range
Grades of drag:	horizontal and vertical each 9 and 0
Tilt angle:	+90° / -75°
Panning range:	360°
Temperature range:	-40°C to 60°C
Weight:	8,4 kg
Max. Load:	65 kg (143 lb)
Camera fixture:	Touch & Go with camera plate
Tripod fitting	150 mm ball
Pan bar:	Two telescopic with attachment diameter of 18 / 22mm (0.7 / 0.8 in) Length 350-520 mm (13.8-20.5 in)
Batteries:	3 each 625 U or LR9

4.2 Dimensions



5 The modular system

Due to the Video 60 Plus EFP fluid heads modular design you may perform certain modifications yourself. In order to save time you can do all work with an allen wrench #4 unless otherwise specified.

The following modifications can be performed:

- ⇒ *Conversion of the Video 60 Plus EFP to include V-shaped wedge plate*
- ⇒ *Conversion of pan bars and rosette*
- ⇒ *Conversion of Video 60 Plus EFP to include flat base*
- ⇒ *Conversion of the Video 60 Plus EFP to include Mitchell*

5.1 Conversion of the Video 60 Plus EFP to include V-shaped wedge plate

Open the 2 screws of the spindle fixation with allen wrench # 2 and remove the fixation piece.

Open the lock of the balance plate by pushing back red lever underneath the balance plate as far as possible.

Keep on turning the knob of the spindle to the left until you can remove the balance plate.

Loosen the 4 screws (now visible) of the base plate underneath and remove it.

Take at your hand the Studio set up from the Sachtler accessory range.

With this set up it is likely that you have to remove the balance plate from the base plate first. Therefore you have to remove the fixation screw in the spindles top end. Open the lock of the balance plate and keep on turning the knob of the spindle to the left until you can remove the balance plate.

Screw the base plate onto the head. Fasten the allen screws hand-tight.

Guide the balance plate with spindle into the base plate. Turn the spindle to the right until you can see it coming out at the front of the head. Place the fixation screw in the spindle's top end and tighten it. The spindle is now fastened. The conversion is done.

5.2 Conversion of pan bars and rosette

Open the 4 screws of the pan bar rosette and remove it.

If this is not possible hammer the positioning pins through to the inside.

Replace the rosette against another one from the Sachtler accessory range and position it first with the two pins. Place the 4 allen screws and fasten them hand-tight. Now you can use other pan bars.

5.3 Conversion of Video 60 Plus EFP to include flat base

Put the Video 60 Plus EFP upside down, so that you can access the bottom of the head. Next to the centre bolt you will see 4 allen screws. Those have to be unscrewed and the whole piece has to be removed.

Now the Video 60 Plus EFP can be mounted onto flat base tripods and pedestals with 4 bolt flat base directly. For Quickfix mount and all Sachtler pedestals the Multi Disc from the Sachtler accessory range is required.






5.4 Conversion of the Video 60 Plus EFP to include Mitchell base

Especially in the United States the Mitchell mount is widely spread. To convert put the fluid head upside down, so that you can access the bottom of the head. Next to the centre bolt you will see 4 allen screws. Those have to be unscrewed and the whole piece has to be removed. Take the Mitchell adapter piece with locking knob from the Sachtler accessory range. Place the adapter piece into the recess at the bottom side of the head.

Fasten hand-tight the 4 allen screws.
The fluid head is tightened on to the tripod via the Mitchell locking knob is mounted onto the fluid heads 4 bolt flat base.

6 Accessories

Parts from the Sachtler accessory range in order of their appearance:

	Description:	Code no.:	used with:
	Studio set up	6050	with V-shaped Wedge plate
	Rosette	sko16b0548	with panbars # 3073 / 3074
	Panbar right Panbar left	3073 3074	ø 28,5 / 32 / 40 mm ø 28,5 / 32 / 40 mm
	Multi Disc	3914	for Video 60 Plus EFP in conjunction with Quickfix und Sachtler tripods / pedestals
	Mitchell adapter piece with clamp screws	6053	for Video 60 Plus EFP and. Video 60 Plus Studio

7 Warranty

Warranty expires if:

- ⇨ *The fluid head was operated improperly or not in line with the specified technical data, or*
- ⇨ *the head housing was opened by unauthorised personnel.*

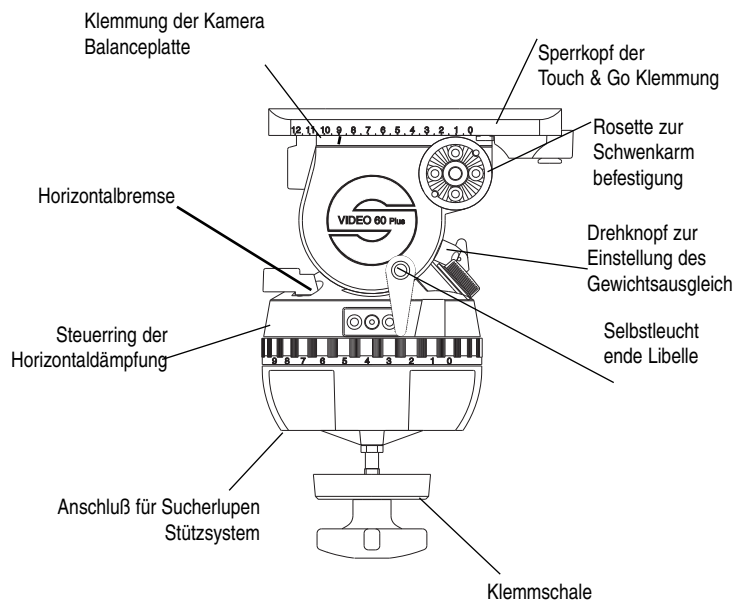
We reserve the right to make changes based on technical advances.

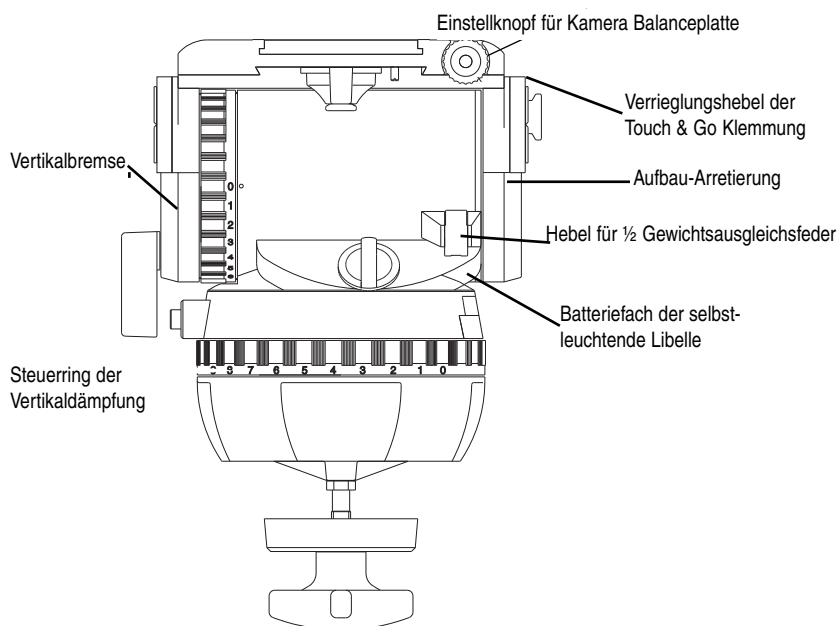
Please register at www.sachtler.com for an extended warranty period.

1 Sicherheitshinweise

- ⇨ Bei aufgesetzter Kamera darf die Klemmschale des Video 60 Plus EFP nur dann gelöst werden, wenn die Kamera mit Stativ gegen Umkippen gesichert wurde.
- ⇨ Beim Einsetzen der Kameraplatte in den Video 60 Plus EFP die Finger nicht in den Bereich des Verriegelungshebels bringen, da dieser zurückspringt.
- ⇨ Beim Lösen der Vertikalbremse muß sichergestellt sein, daß die Kamera gegen plötzliche Bewegung gesichert ist.
- ⇨ Kopfüber darf der Fluidkopf nur mit ausreichender Sicherung (z.B. Stahlseile) eingesetzt werden.
- ⇨ Vor dem Transport die Steuerringe der Dämpfungen auf "0" stellen.

2 Bedienelemente





3 Betrieb

3.1 Nivellieren des Fluidkopfes

Der Video 60 Plus EFP verfügt über eine Libelle, um das Nivellieren zu erleichtern.

Schließen Sie die Vertikalbremse des Video 60 Plus EFP und sichern Sie die Kamera mit einer Hand.

Lösen Sie die Klemmschale des Fluidkopfes und richten Sie den Kopf so aus, daß die Luftblase der Libelle im schwarzen Kreis steht. Klemmschale danach gut festziehen. **Beleuchtete Wasserwaage (Libelle)**

Der Video 60 Plus EFP verfügt über eine selbstleuchtende Libelle, um auch bei ungünstigen Lichtverhältnissen leicht nivellieren zu können.

Durch kräftiges Antippen der Libelle wird die Beleuchtung aktiviert. Die Libelle leuchtet bis zu 45 Sekunden.

3.2 Entnehmen der Kameraplatte

Der Video 60 Plus EFP ist mit einem Touch & Go Kamera-Schnellverschluß ausgestattet.

- ⇒ Fassen Sie die Kameraplatte mit der einen Hand.
- ⇒ Verriegelungshebel mit Daumen und Zeigefinger der anderen Hand greifen und den roten runden Sperrknopf nach unten ziehen.
- ⇒ Verriegelungshebel bis zum linken Anschlag (hörbares Einrasten) drücken und dabei Kameraplatte entnehmen.

3.3 Einsetzen der Kamera

Befestigen Sie die Kameraplatte ungefähr im Schwerpunkt der Kamera an der Stativadapterplatte (Kamera Zubehör).

- ⇒ Stellen Sie den Drehknopf des Gewichtsausgleichs auf Position 9.
- ⇒ Schließen Sie Horizontalbremse und öffnen Sie die Vertikalbremse.
- ⇒ **Achten Sie darauf**, daß die Federn des Gewichtsausgleiches einrasten, indem Sie den Kopf durch die Horizontale neigen (hörbares Einrasten).
- ⇒ Blockieren Sie den Fluidkopf mit der Aufbau-Arretierung.

Das Sperren und Einrasten der Aufbau-Arretierung geschieht durch Herausziehen des roten Knopfes und Drehung um 90°. Grüne Markierung am Knopf verschwindet. Vergewissern Sie sich, daß die Aufbau-Arretierung eingerastet und der Kopf in der Horizontalen blockiert ist. (Der Kopf läßt sich mittels der Schwenkarme nicht mehr neigen.)

- ⇒ Setzen Sie die Kameraplatte zuerst vorne in die Aufnahme ein.
- ⇒ Beim Einsetzen der Kamera mit Kameraplatte verriegelt sie sich automatisch und der Verriegelungshebel schnell in die Ausgangsposition zurück (hörbares Einschnappen).

3.4 Entnehmen der Kamera

- ⇒ Blockieren Sie den Fluidkopf mit der Aufbau-Arretierung.

Das Sperren und Einrasten der Aufbau-Arretierung geschieht durch Herausziehen des roten Knopfes und Drehung um 90°. Grüne Markierung am Knopf verschwindet. Vergewissern Sie sich, daß die Aufbau-Arretierung eingearastet und der Kopf in der Horizontalen blockiert ist. (Der Kopf läßt sich mittels der Schwenkarme nicht mehr neigen.)

- ⇒ Fassen Sie die Kamera mit der einen Hand.
- ⇒ Verriegelungshebel mit Daumen und Zeigefinger der anderen Hand greifen und den roten runden Sperrknopf nach unten ziehen.
- ⇒ Verriegelungshebel bis zum linken Anschlag drücken und dabei Kamera entnehmen.

3.5 Zentrieren des Kameragewichts

- ⇒ Halten Sie den Kopf mittels Schwenkarm fest.
- ⇒ Bei geschlossener Horizontalbremse und geöffneter Vertikalbremse lösen Sie nun die Aufbau-Arretierung durch Herausziehen des roten Knopfes und Drehung um 90°. (Durch Heben und Drücken der Schwenkarme erleichtern Sie das Öffnen.)
- ⇒ Drehen Sie den vertikalen Steuerring auf Position 0.
- ⇒ Lösen Sie die Klemmung der Kamera-Balanceplatte

Beim Video 60 Plus EFP wird dazu der vordere rote Hebel unterhalb der Balanceplatte nach links oben gezogen.

- ⇒ Durch Vor- und Zurückdrehen der Spindel verschieben Sie die Kamera so lange bis Sie die Position gefunden haben, in der die Kamera horizontal ausbalanciert ist. Hecklastige Kameras werden durch Rechtsdrehen an der Spindel nach vorne verschoben, frontlastige Kameras durch Linksdrehen nach hinten. Sie erleichtern das Verschieben, in dem Sie die Kamera horizontal halten.
- ⇒ Sichern Sie die Balanceplatte mit dem Klemmhebel (der Spindeltrieb ist selbsthemmend, die Klemmung dient zur Beseitigung von Spiel).

Beim Video 60 Plus EFP wird dazu der vordere rote Hebel unterhalb der Balanceplatte nach rechts oben gezogen.

Bitte beachten Sie: Falls es Ihnen nicht gelingt die Kamera zu zentrieren, schrauben Sie die Kameraplatte an eine andere Position der Stativadapterplatte.

3.6 Einstellen der Kamerabalance

- ⇒ Halten Sie die Hand am Schwenkarm und schalten Sie über den Drehknopf des Gewichtsausgleichs schrittweise Ausgleichsfedern ab.
- ⇒ Testen Sie nach jeder abgeschalteten Feder, ob die Kamera in der geneigten Stellung annähernd stehen bleibt, d.h. die Kamera sollte in jeder Neigeposition weder stark nach unten abkippen noch nach oben zurückfedern.
- ⇒ Mit dem rechten Kipphebel (kleines Gewichtssymbol) kann eine halbe Feder geschaltet werden. Wählen Sie durch Zu- oder Wegschalten dieser Feder den optimalen Gewichtsausgleich. (Bei zugeschalteter Feder steht der Kipphebel aufrecht, Stahlstift ist nicht sichtbar. Bei weggeschalteter Feder ist der Stahlstift im Kipphebel sichtbar).

Bitte beachten Sie: *Das Verringern der Ausgleichskraft wird in jeder Neigeposition sofort wirksam, das Erhöhen jedoch nur in Horizontalstellung (Federn rasten hörbar ein).*

3.6.1 Ab- bzw. Zuschalten der festeingestellten Ausgleichsfedern (sollte nur in Ausnahmesituationen durchgeführt werden)

In der Position "1" des Drehknopfes des Gewichtsausgleiches, der sog. Grundstellung, sind 4 Gewichtsausgleichsfedern fest im Eingriff, d.h. man kann sie nicht unmittelbar abschalten. In bestimmten Situationen kann es jedoch von Vorteil sein, diese Einstellung zu ändern; um z.B. das geringere Gewicht beim Einsatz einer EB-Kamera zu kompensieren, können Sie bis maximal 4 Federn abschalten. In diesem Fall würde in Position "1" des Drehknopfes des Gewichtsausgleiches nur mit dem rechten Kipphebel (halbe Feder) kompensiert. Gehen Sie wie folgt vor:

- ⇒ Blockieren Sie den Fluidkopf mit der Aufbau-Arretierung
- ⇒ Lösen Sie die Klemmung der Kamera-Balanceplatte indem Sie den vorderen roten Hebel unterhalb der Balanceplatte nach links oben ziehen
- ⇒ Drehen Sie den Knopf der Spindel so lange nach links bis die Balanceplatte den hinteren Anschlag erreicht hat

4 kleine Bohrungen werden nun im Boden der Grundplatte sichtbar (erst ab Seriennummer 60300). Diese sind exakt über den Befestigungsschrauben der festen Ausgleichsfedern.

- ⇒ Mit einem Inbusschlüssel Nr. 2 können Sie nun die Inbusschrauben eindrehen (Verstärkung des Gewichtsausgleiches) bzw. ausdrehen (Verminderung des Gewichtsausgleiches)

Achtung:**Die Schrauben verbleiben immer in ihren Bohrungen.**

Eine Ausgleichsfeder ist dann abgeschaltet, wenn die Inbusschraube mit dem Oberrand der Bohrung bündig ist; sie sollte also nicht aus dem Bohrloch hervorstehen. Eine Ausgleichsfeder befindet sich im Eingriff, wenn die Inbusschraube völlig eingeschraubt ist. Der silberne Kopf der Schraube ist dann nicht mehr sichtbar.

- ⇒ Bringen Sie nun die Balanceplatte wieder in die Ausgangsposition
- ⇒ Sichern Sie die Balanceplatte mit dem Klemmhebel
- ⇒ Öffnen Sie die Aufbau-Arretierung

3.6.2 Bitte beachten Sie:

Hydroköpfe neuerer Bauart (ab dem Jahr 2000) verfügen über eine Balanceplatte mit Schnellverstellung. Somit können Sie bei Gewichtsverlagerung sehr schnell reagieren:

- ⇒ blockieren Sie den Fluidkopf mit der Aufbau-Arretierung
- ⇒ lösen Sie die Klemmung der Kamera-Balanceplatte, indem Sie den vorderen roten Hebel unterhalb der Balanceplatte nach links oben ziehen
- ⇒ drücken Sie auf den roten Druckknopf rechts neben der Schwenkarmanlenkung
- ⇒ die Spindel befindet sich nun nicht mehr im Eingriff und Sie können die Balanceplatte ungebremst verschieben.
- ⇒ wenn Sie in etwa die Position erreicht haben, in der die Kamera zentriert sein müsste, geben Sie den Druckknopf frei
- ⇒ nachdem die Balanceplatte hörbar eine Rastposition gefunden hat, öffnen Sie vorsichtig die Aufbau-Arretierung
- ⇒ die Feineinstellung können Sie wie gehabt mittels Spindeltrieb vornehmen
- ⇒ zu guter Letzt sichern Sie die Balanceplatte wieder mit dem Klemmhebel

3.7 Einstellen der Dämpfung

Die Video 60 Plus EFP verfügt horizontal und vertikal über je neun Dämpfungsstufen und eine Nullstellung.

Durch Drehen an den Steuerringen wird die gewünschte Fluiddämpfung eingestellt. In der Nullstellung ist die Dämpfung völlig abgeschaltet.

Befinden sich die Steuerringe auf gleichem Index (z.B. "3"), dann ist die Stärke der Horizontal- und Vertikaldämpfung genau gleich und damit sind saubere, ruckfreie Diagonalebewegungen möglich.

3.8 Bremsen

Die Horizontalbremse löst die Klemmung für horizontale und die Vertikalbremse für vertikale Schwenks. Beide Bremsen können während der Aufnahme vibrationsfrei mit einer Hand betätigt werden.

3.9 Sucherlupenstütze

Der Video 60 Plus EFP hat an seiner linken Seite eine Vorbereitung zur Montage eines Sucherlupen Stützsystemes.

3.10 Austausch der Batterien

Im Batteriefach befinden sich die handelsüblichen Standard Knopfzellen vom Typ 625 U oder LR9. Mit Hilfe eines spitzen Gegenstandes (Schraubenzieher o.ä.) öffnen Sie dieses Fach. Vergewissern Sie sich, daß die neuen Batterien entsprechend der "plus" und "minus" Kennzeichnung des Batteriefaches eingelegt werden.

Ein Satz Batterien reicht für ca. 2000 Beleuchtungsvorgänge.

3.11 Transportstellung von Dämpfung, Gewichtsausgleich und Bremsen

Um die Leichtgängigkeit der Steuerringe für die Dämpfung über die lange Lebensdauer eines Sachtler Fluidkopfes zu erhalten, sollten vor und nach dem Dreh beide Steuerringe von Stellung "0" bis zur maximalen Dämpfungsstufe durchgeschaltet werden.

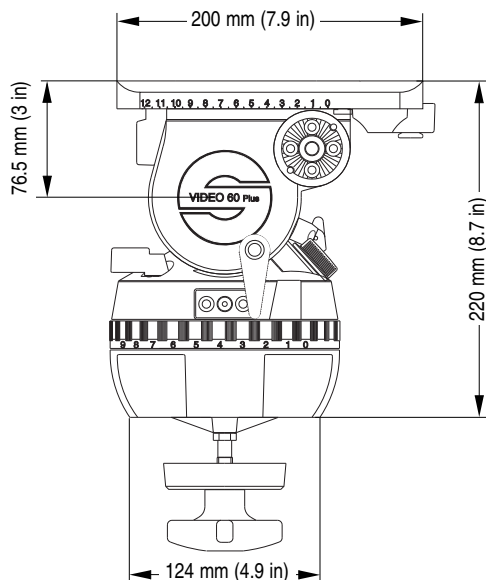
Einstellungen während des Transports: das Wichtigste ist, beide Bremsen - horizontal und vertikal - zu lösen. Gewichtsausgleich und Dämpfungen sollten jeweils auf maximaler Stufe eingestellt sein.

4. Technische Daten

4.1 Allgemeine Daten

Gewichtsausgleich:	137 Nm (in 18 Stufen)
Balanceplatte:	115 mm (4.5 in) Verschiebbereich
Dämpfungsstufen:	je 9 horizontal, vertikal und 0
Neigebereich:	+90° / -75°
Schwenkbereich:	360°
Temperaturbereich:	-40°C (-40°F) bis 60°C (104°F)
Eigengewicht:	8.4 kg (18.5 lb)
Max. Last:	65 kg (143 lb)
Kameraanschluß:	Touch & Go mit Kameraplatte 35
Stativanschluß:	150 mm (6 in) Halbkugel
Schwenkarm:	zwei teleskopisch mit attachment-Diameter 18 /22 mm (0.7 / 0.8 in), Länge 350 - 520 mm (13.8 - 20.5 in)
Batterien:	3 Stück 625 U oder LR9

4.2 Abmessungen



5 Das Baukastensystem

Die Video 60 Plus EFP Köpfe sind modular aufgebaut.

Nachfolgend beschriebene Modifikationen können selber durchgeführt werden. Um längere Umbauzeiten zu vermeiden, ist - wenn nicht anders beschrieben - ein Inbusschlüssel #4 das einzige benötigte Werkzeug.

⇒ *Umbau des Video 60 Plus EFP auf V-förmige Keilplatte*

⇒ *Umbau der Schwenkarme mit Rosette*

⇒ *Umbau des Video 60 Plus EFP auf Flachboden*

⇒ *Umbau des Video 60 Plus EFP auf Mitchell*

5.1 Umbau des Video 60 Plus EFP auf V-förmige Keilplatte

Mittels Inbusschlüssel #2 lösen Sie die 2 Schrauben der Spindelbefestigung und entnehmen das Fixierklötzchen.

Lösen die Klemmung der Balanceplatte (roten Hebel unterhalb der Balanceplatte nach links oben ziehen)

Drehen Sie den Knopf des Spindeltriebs solange nach links bis sie die Balanceplatte entnehmen können.

Öffnen Sie die nun sichtbar gewordenen 4 Schrauben der darunter liegenden Grundplatte und entnehmen diese.

Nehmen Sie jetzt den Studioaufbau aus dem Sachtler Zubehörprogramm zur Hand.

Gegebenenfalls muß bei diesem Aufbau erst die Grundplatte von der Balanceplatte gelöst werden.

Dazu die Fixierschraube an der vorderen Spindelspitze entnehmen. Lösen Sie die seitliche Klemmung der Balanceplatte und drehen Sie den Knopf des Spindeltriebs solange nach links bis sie die Balanceplatte entnehmen können.

Schrauben Sie zuerst die Grundplatte auf. Inbusschrauben handfest anziehen.

Führen Sie die Balanceplatte mit der Spindel in die Aufnahme ein.

Drehen Sie die Spindel so lange nach rechts bis sie vorne am Kopf sichtbar wird.

Dann die Fixierschraube an der Spindelspitze einsetzen und anziehen. Die Spindel ist jetzt fixiert. Der Umbau ist abgeschlossen.

5.2 Umbau der Schwenkarme mit Rosette

Lösen Sie die vier Inbusschrauben der Schwenkarmrosetten und entnehmen Sie diese.

Ist dies nicht möglich, so schlagen Sie die beiden Fixierstifte in der Rosette nach innen durch.

Setzen Sie eine andere Rosette aus dem Sachtler Zubehörprogramm ein und fixieren diese zuerst mit den beiden Fixierstiften.

Dann werden die vier Inbusschrauben eingesetzt und handfest angezogen.

Sie können nun andere Schwenkarme verwenden.

5.3 Umbau des Video 60 Plus EFP auf Flachboden

Stellen Sie den Video 60 Plus EFP auf den Kopf, sodaß die Unterseite sichtbar wird.

Neben dem Mittelbolzen sehen Sie vier Inbusschrauben. Diese werden gelöst bis das ganze Adapterstück mit Bolzen entnommen werden kann.

Der Video 60 Plus EFP kann jetzt auf Flachbodenstative und Pedestale mit 4-Schraubenanschluß direkt aufgesetzt werden. Allein für Quickfixanschlüsse und alle Sachtler Pedestale muß die Multi Disc aus dem Zubehörprogramm verwendet werden.

Sie wird in den 4-Schraubenanschluß am Kopf eingeschraubt.

5.4 Umbau des Video 60 Plus EFP auf Mitchell

Vor allem in den USA ist der sogenannte Mitchellanschluß sehr verbreitet.

Stellen Sie den Fluidkopf dazu auf den Kopf, sodaß die Unterseite sichtbar wird.

Neben dem Mittelbolzen sehen Sie vier Inbusschrauben. Diese werden gelöst bis das ganze Adapterstück mit Bolzen entnommen werden kann.

Nehmen Sie das Mitchelladapterstück mit Klemmschale aus dem Sachtler Zubehörprogramm zur Hand.

Führen Sie das Adapterstück in die dazu vorgesehene Vertiefung an der Kopfunterseite ein.

Ziehen Sie die vier Inbusschrauben handfest an.

Mit der Mitchell Klemmschale wird der Fluidkopf am Stativ arretiert.

6 Zubehör

Teile aus dem Sachtler Zubehörprogramm in der Reihenfolge ihrer Erwähnung:

	Bezeichnung	code nr.	Verwendung
	Studio Aufbau	6050	mit V-förmige Keilplatte
	Rosette	sko16b0548	mit Schwenkarme # 3073 / 3074
	Schwenkarme rechts 3073 Schwenkarme links 3074		ø 28.5 / 32 /40 mm ø 28.5 / 32 /40 mm (ø 1.1 / 1.3 / 1.6 in)
	Multi Disc	3914	Video 60 Plus EFP bei Verwendung mit Quickfix and Sachtler Pedestallen
	Mitchelladapter stück mit Klemmschale	6053	for Video 60 Plus EFP / Video 60 Plus Studio

7 Gewährleistung

Der Gewährleistungsanspruch erlischt, wenn

- ⇨ *der Fluidkopf unsachgemäß und außerhalb der spezifizierten technischen Daten betrieben wurde oder*
- ⇨ *das Grundgehäuse von einer nicht autorisierten Service-Stelle geöffnet wurde.*

Änderungen, die dem technischen Fortschritt dienen, sind vorbehalten.

Bitte registrieren Sie sich unter www.sachtler.de, um einen erweiterten Gewährleistungszeitraum zu erhalten.

Video 60 Plus EFP

