

Video 75 Plus EFP

SKU: 7500

Sachtler Video 75 Plus EFP Fluid Head with Touch & Go Camera Plate



PRODUCT DESCRIPTION

Even when carrying a payload of 85 kg, the Sachtler Video 75 Plus EFP Fluid Head gives high-performance and safe operation, whatever the conditions. Its 24-step counterbalance system uses torsion springs to provide secure balance as the camera moves through any angle and protects you from any slips or tilts. The counterbalance can be fine-tuned to exactly the right level, while the sliding plate can be locked in place once you've achieved your desired level.

Getting your camera into the right position is as simple as a few clicks. The Touch & Go and automatic locking system replace endless rounds of clumsy fiddling and let you operate in confidence. Once you are shooting, the frictionless leak proof damping with nine levels of drag helps you get the right shot first time. If you need to work fast, you can disengage the drag without affecting the counterbalance.

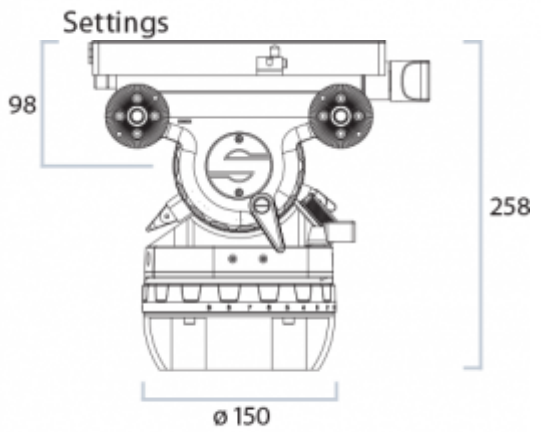
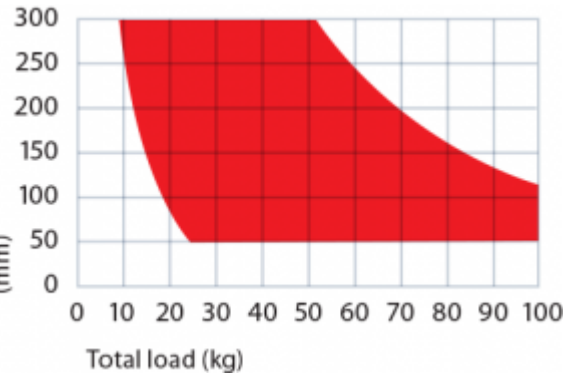
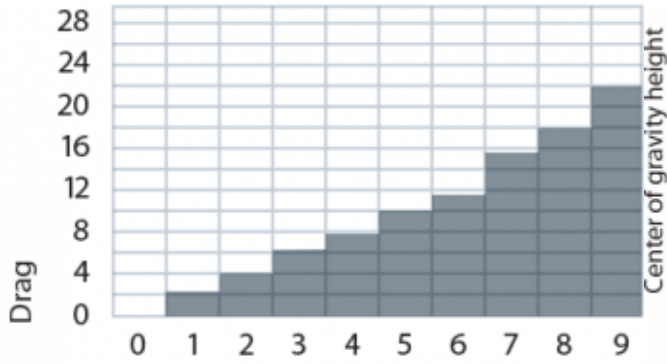
TECHNICAL SPECIFICATIONS

Temperature Range	-40 °C to 60 °C -40 °F to 140 °F
Camera Plate	Touch & Go plate 35
Payload	12 kg to 85 kg 26.46 lb to 187.39 lb
Counterbalance	24 steps + Boost Button
Drag	9 + 0 drag settings
Weight	13.7 kg 30.2 lb
Bowl Size	150 mm
Pan Bar Count	2, front and back
Sliding Range	12 cm 4.72 in
Tilt Range	90° to -60°
Pan Bar Length	54 cm to 72 cm 21.26 in to 28.35 in
Pan Bar Type	Pan bar front and back section
Pan Bar Attachment	28.5/35/40 mm
Level Bubble	Yes, illuminated
Battery Type	3 x 625U or LR9
Adaptor Viewfinder Extension	Included Adaptor

IN THE BOX

- Video 75 EFP fluid head with two pan bar front sections and two rear sections and camera plate Touch & Go 35
- [Touch & Go Plate 35](#) (3051)

DIAGRAMS



flat base (half ball with adapter)

