



System FSB 10 Mk II ENG AL GS

SKU: 1041M

Sachtler FSB 10 Mk II 100 mm Sideload system with tripod ENG 2 D for payloads of up to 12 kg (26.5 lb)



PRODUCT DESCRIPTION

Fluid, Smooth, Balanced: Capture the moment precisely

Redesigned with features from the revolutionary Sachtler aktiv fluid head range, FSB delivers precision movement with finely calibrated levels of drag and counterbalance for the perfect shot. The streamlined profile is built to withstand the toughest conditions to deliver repeatable, reliable camera support shot after shot.

Product Highlights

- **Smooth operation.**
Create precision pans with smooth starts and soft stops.
- **Finely balanced.**
Delivering smooth pan-tilt fluid actions to match any camera payload from 0kg.
- **Always on the level.**
Innovative illuminated PrismBubble visible from any height – day or night.
- **Built for endurance.**
Engineered to the highest standards with tough materials and precision components, FSB is built for endurance.

TECHNICAL SPECIFICATIONS

Temperature Range	-40 °C to 60 °C -40 °F to 140 °F
Payload	0 kg to 12 kg 0 lb to 26.46 lb
Counterbalance	15 + 0 counterbalance steps
Drag	7 + 0 drag settings
Weight	6.7 kg 14.77 lb
Bowl Size	100 mm
Spreader Type	Ground spreader
Material	Aluminium
Tripod Stages	2
Pan Bar Count	1
Sliding Range	12 cm 4.72 in
Tilt Range	90° to -70°
Interface Compatibility	Sideload
Transport Length	89 cm 35.04 in
Height With Spreader	62 cm to 170 cm 24.41 in to 66.93 in

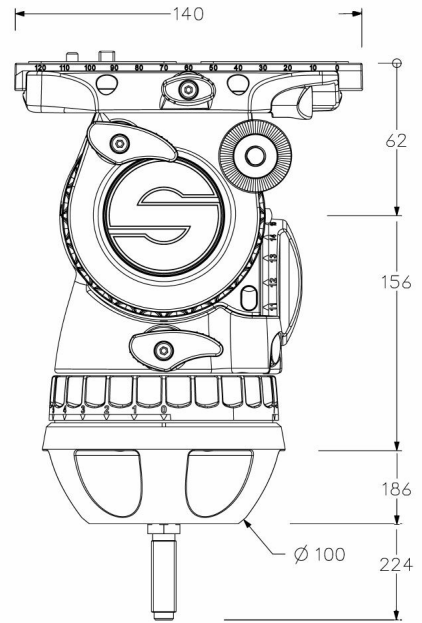
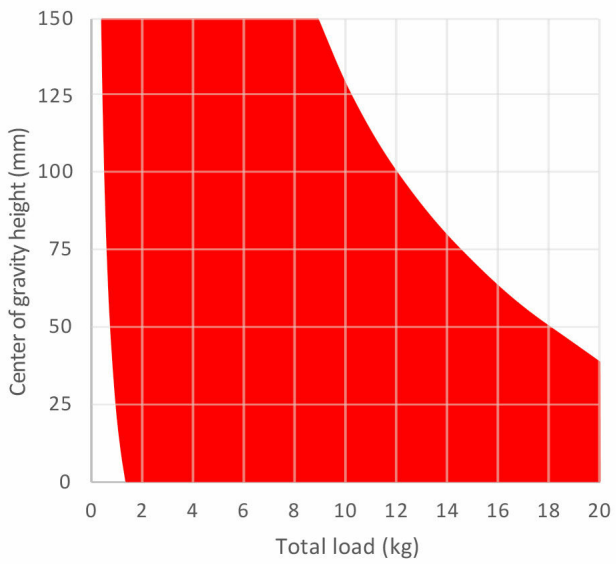
IN THE BOX

FSB 10 Mk II fluid head; tripod ENG 2D with ground spreader; padded bag ENG

- [FSB 10 Mk II](#) (S2073-0001)
- [Tripod ENG 2 D](#) (5186)
- [Ground spreader SP 100](#) (7002)
- [Padded bag ENG](#) (9104)

DIAGRAMS

Payload Diagram FSB 10 Mk II



YOU MAY ALSO LIKE...



System FSB 10 Mk II
ENG CF GS



System aktiv10
flowtech100 GS