



## aktiv14T

SKU: S2076T

Sachtler aktiv14 fluid head Touch & Go with SpeedLevel and SpeedSwap technology



## PRODUCT DESCRIPTION

This Sachtler aktiv™ 100 mm fluid head for payloads of up to 16 kg (35.3 lbs.), with unique SpeedLevel™ technology, can be levelled in seconds giving you time to get the perfect shot in documentary, corporate or news applications. The SpeedSwap™ system delivers the fastest way to switch between tripod and slider in seconds giving you ultimate flexibility.

### Product Highlights

- Level and lock your head in an instant without missing a second of action  
**Unique SpeedLevel technology.**
- Visible from any height or angle - day or night.  
**Innovative PrismBubble.**
- Capture extreme low angle shots right down to the ground.  
**Innovative streamlined mounting system.**
- Switch between tripod and slider in seconds.  
**Revolutionary SpeedSwap system.**
- Create moving stories, whatever the weather.  
**Performance tested to the extreme.**

## TECHNICAL SPECIFICATIONS

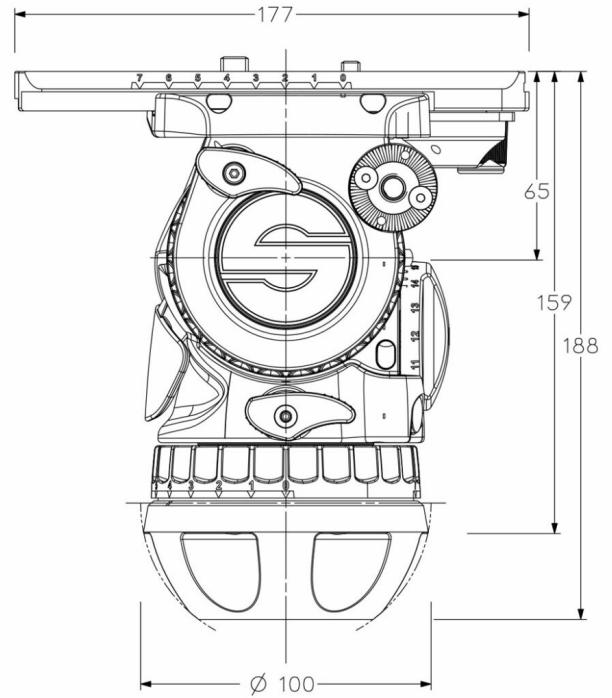
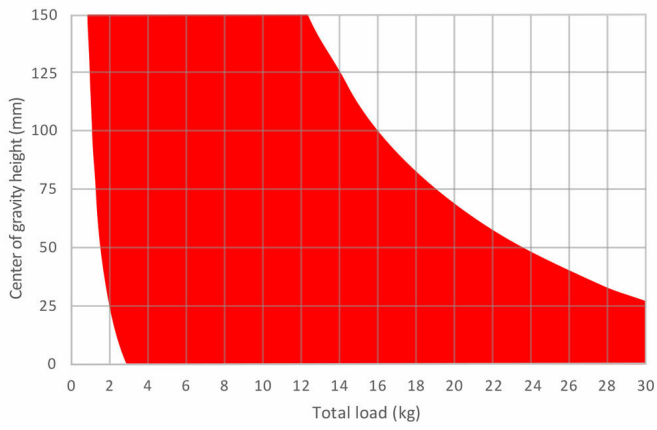
<b>Range</b>	aktiv
<b>Temperature Range</b>	-40 °C to 60 °C   -40 °F to 140 °F
<b>Camera Plate</b>	Touch & Go plate 16
<b>Payload</b>	0 kg to 16 kg   0 lb to 35.27 lb
<b>Counterbalance</b>	15 + 0 steps
<b>Drag</b>	7 + 0 drag settings
<b>Weight</b>	3.4 kg   7.5 lb
<b>Bowl Size</b>	100 mm
<b>Pan Bar Count</b>	1, telescopic
<b>Sliding Range</b>	70 mm   2.76 in
<b>Tilt Range</b>	90° to -70°
<b>Pan Bar Length</b>	35 cm to 52 cm   13.78 in to 20.47 in
<b>Pan Bar Type</b>	Pan bar DV right (telescopic)
<b>Pan Bar Attachment</b>	18/22/32 mm
<b>Level Bubble</b>	Yes, illuminated
<b>Battery Type</b>	CR2032

## IN THE BOX

- aktiv™14T fluid head with one telescopic pan bar DV and Touch & Go plate 16
- [Pan bar DV right \(telescopic\)](#) (3470)
- [Touch & Go Plate 16](#) (1064)
- [aktiv bowl connector 100 mm V2](#) (S2080-0013)

# DIAGRAMS

Payload Diagram aktiv14T



## YOU MAY ALSO LIKE...



**System aktiv14T  
flowtech100 MS**



**System aktiv14T  
flowtech100 GS**



**aktiv bowl connector  
100 mm V2**