



aktiv10

SKU: S2072S

Sachtler aktiv10 fluid head Sideload with SpeedLevel and SpeedSwap technology



PRODUCT DESCRIPTION

This Sachtler aktiv™ 100 mm fluid head for payloads of up to 12 kg (26.5 lbs.), with unique SpeedLevel™ technology, can be levelled in seconds giving you time to get the perfect shot in documentary, corporate or news applications. The SpeedSwap™ system delivers the fastest way to switch between tripod and slider in seconds giving you ultimate flexibility.

Product Highlights

- Level and lock your head in an instant without missing a second of action
Unique SpeedLevel technology.
- Visible from any height or angle - day or night.
Innovative PrismBubble.
- Capture extreme low angle shots right down to the ground.
Innovative streamlined mounting system.
- Switch between tripod and slider in seconds.
Revolutionary SpeedSwap system.
- Create moving stories, whatever the weather.
Performance tested to the extreme.

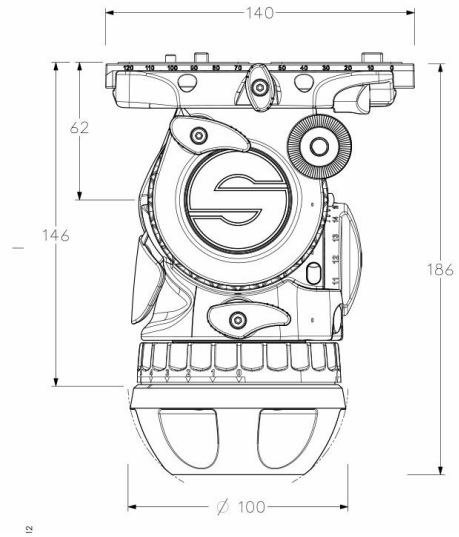
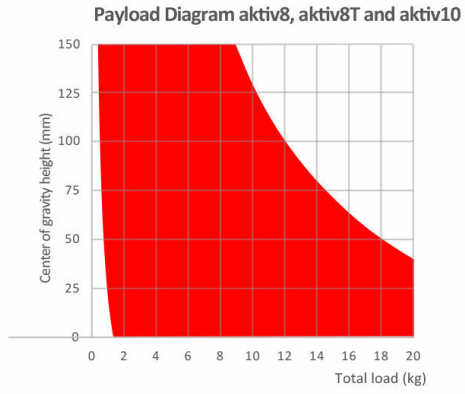
TECHNICAL SPECIFICATIONS

Range	aktiv
Temperature Range	-40 °C to 60 °C -40 °F to 140 °F
Camera Plate	Sideload plate S
Payload	0 kg to 12 kg 0 lb to 26.46 lb
Counterbalance	15 + 0 steps
Drag	7 + 0 drag settings
Weight	2.9 kg 6.39 lb
Bowl Size	100 mm
Pan Bar Count	1
Sliding Range	12 cm 4.72 in
Tilt Range	90° to -70°
Pan Bar Length	43 cm to 16.93 in to
Pan Bar Type	Pan bar DV 75
Pan Bar Attachment	16/-/28 mm
Level Bubble	Yes, illuminated
Battery Type	CR2032

IN THE BOX

- aktiv10 fluid head with one pan bar DV 75 and one camera plate Sideload plate S
- [Sideload plate S / Ace plate](#) (0164)
- [Pan bar DV 75](#) (0992SP)
- [aktiv bowl connector 100 mm V2](#) (S2080-0013)

DIAGRAMS



YOU MAY ALSO LIKE...



**System aktiv10
flowtech100 MS**



**System aktiv10
flowtech100 GS**